

## REMOVING - REFITTING : PASSENGER STORAGE COMPARTMENT

**ESSENTIAL** : Observe the safety and cleanliness recommendations ⓘ .

Key : **Operation symbols** ⓘ .

### 1. Location

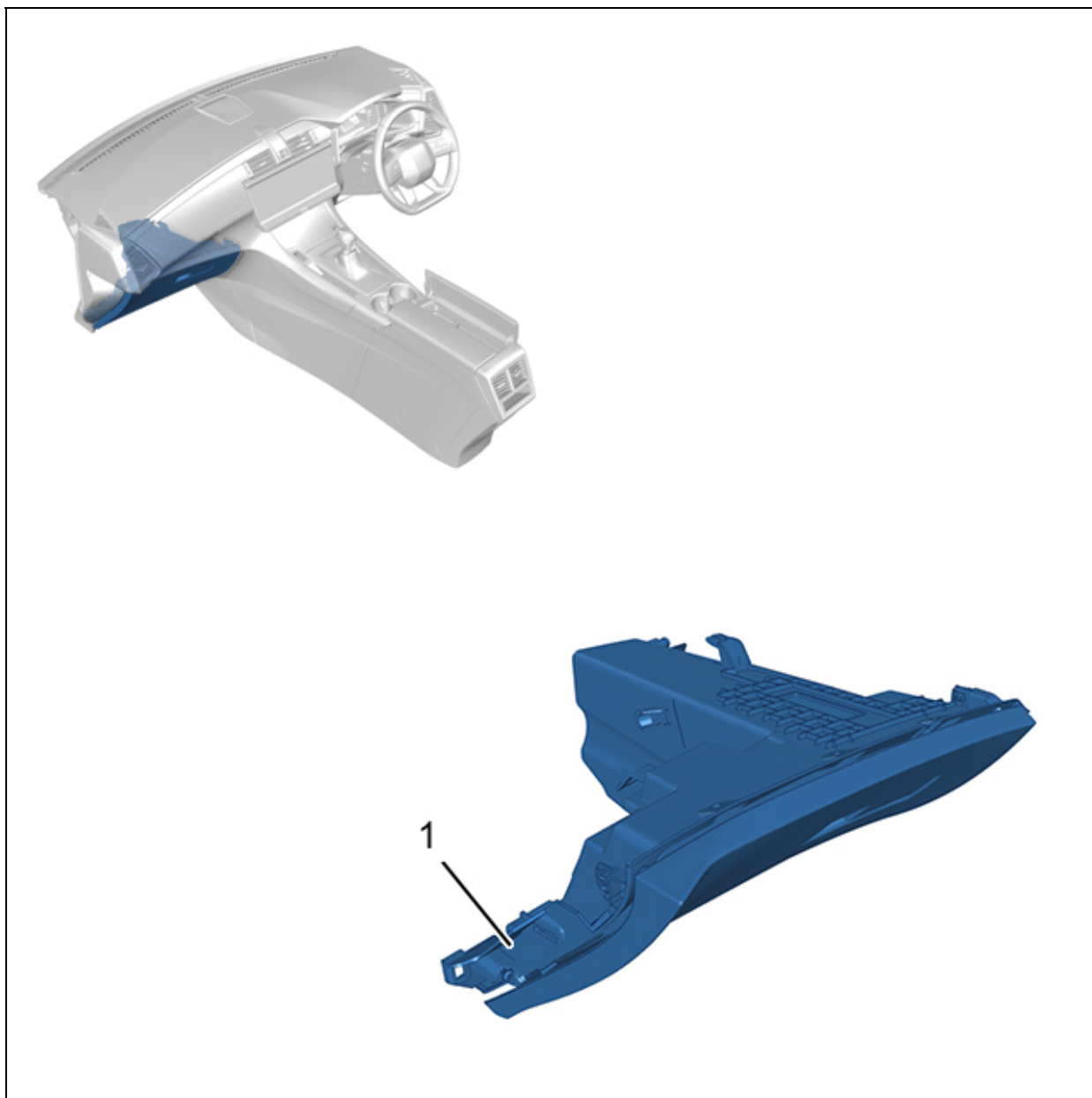
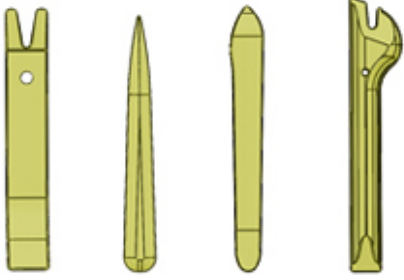


Figure : C5FG3HFP

| Identification | Description                   | Quantity |
|----------------|-------------------------------|----------|
| (1)            | Passenger storage compartment | 1        |

### 2. Tooling

| Tool | Reference | Description |
|------|-----------|-------------|
|------|-----------|-------------|

|   |                  |                        |
|---|------------------|------------------------|
| <p>[1350-ZZ]</p>  <p>Figure : E5AG02MT</p> | <p>[1350-ZZ]</p> | <p>Stripping tools</p> |
|---|------------------|------------------------|

### 3. Preliminary operation

Disconnect the ancillaries battery ⓘ.

### 4. Removing

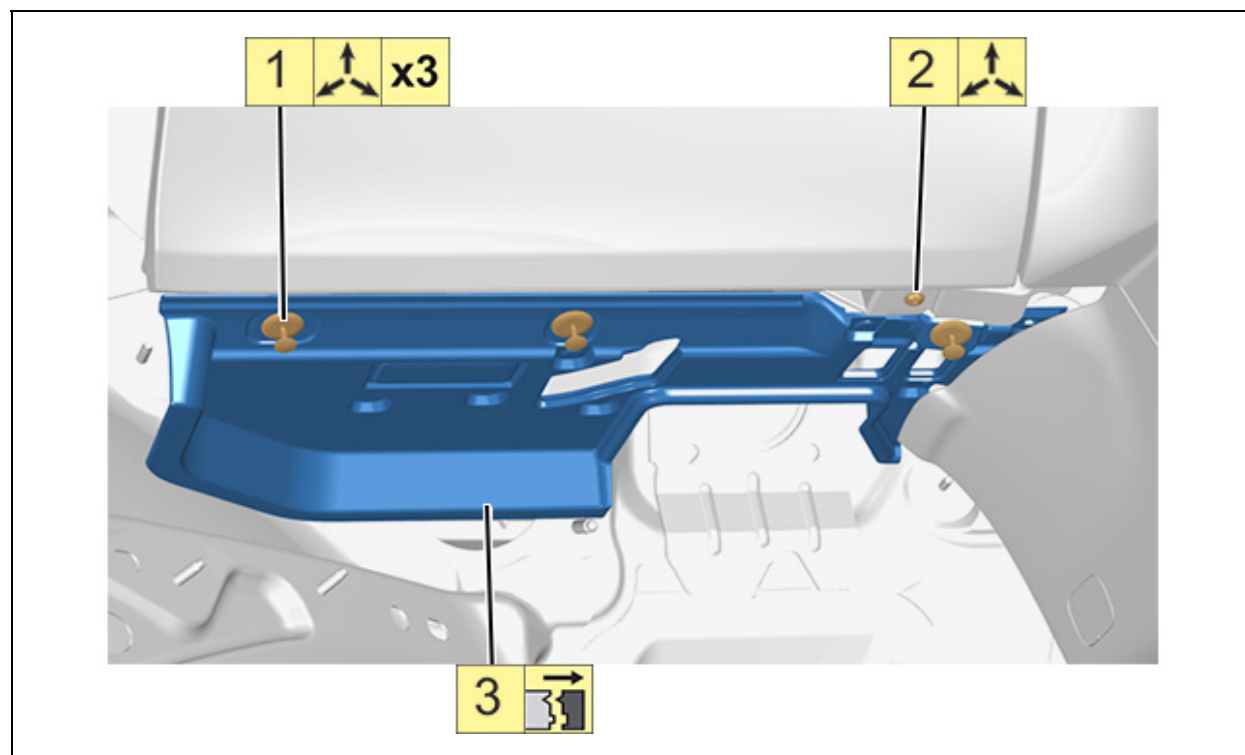


Figure : C5FG3HGD

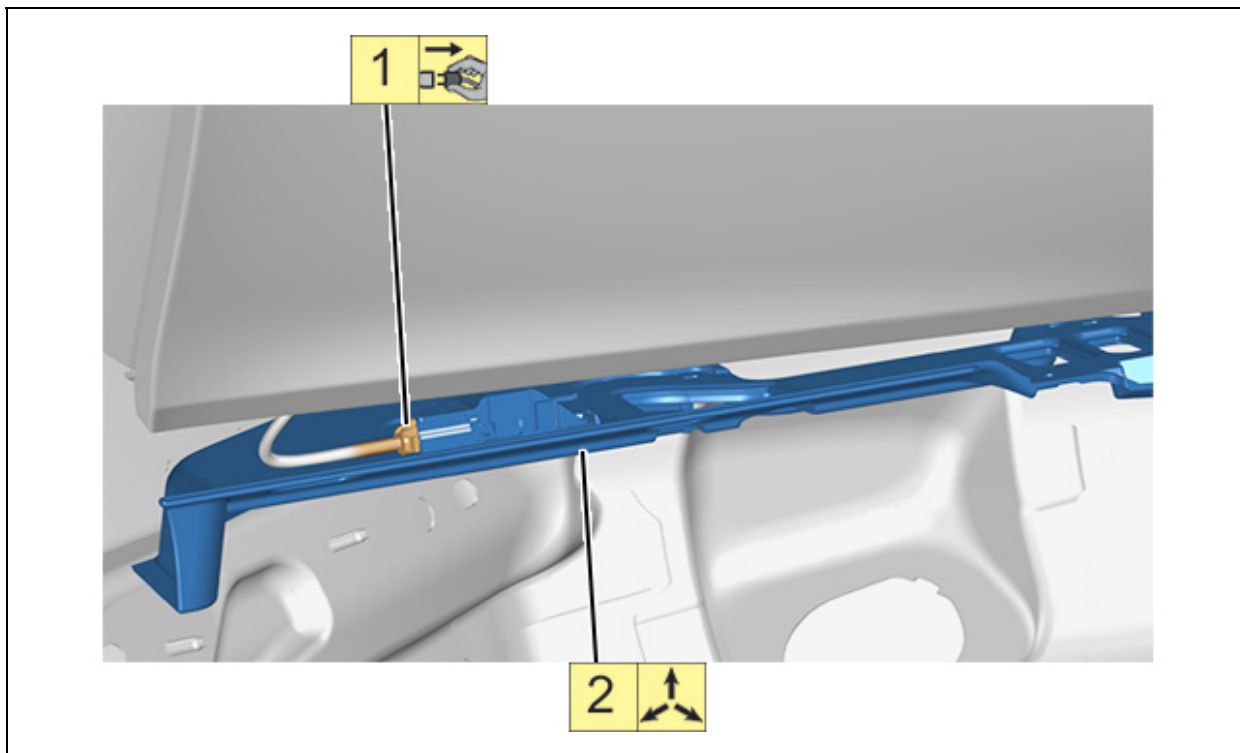


Figure : C5FG3HHD

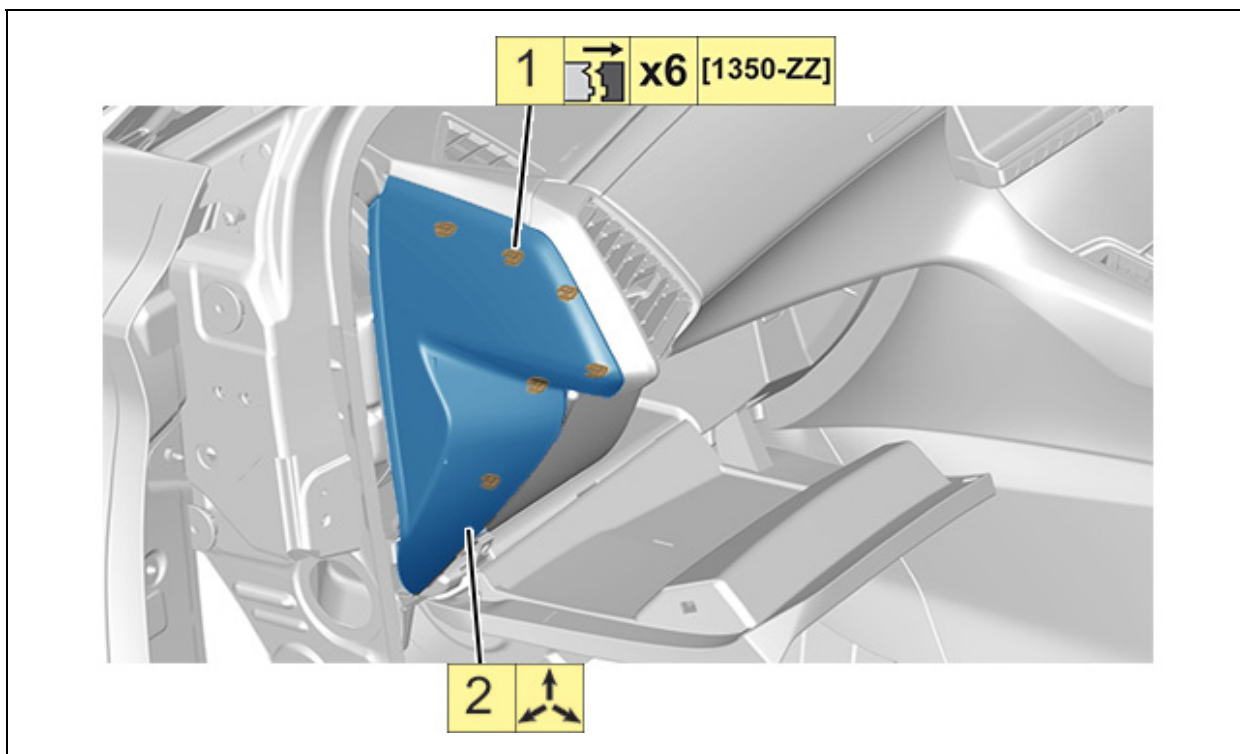


Figure : C5FG3HID

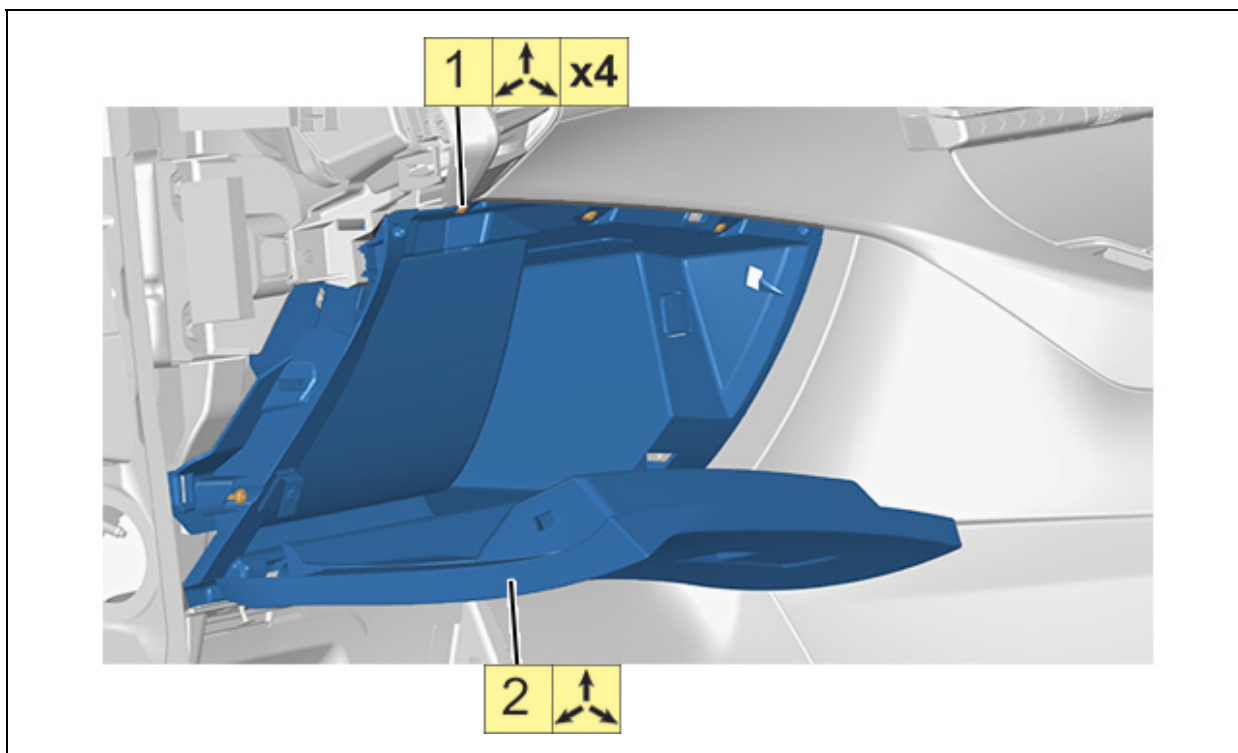


Figure : C5FG3HJD

## 5. Refitting

Proceed in the reverse order to removal.

## 6. Additional operations

**Reconnect the ancillaries battery** ⓘ .

Check the operation of the various equipment.