

REMOVING - REFITTING : MULTIFUNCTION SCREEN

RIGHT HAND DRIVE

ESSENTIAL : Observe the safety and cleanliness recommendations ⓘ .

Key : **Operation symbols** ⓘ .

1. Location

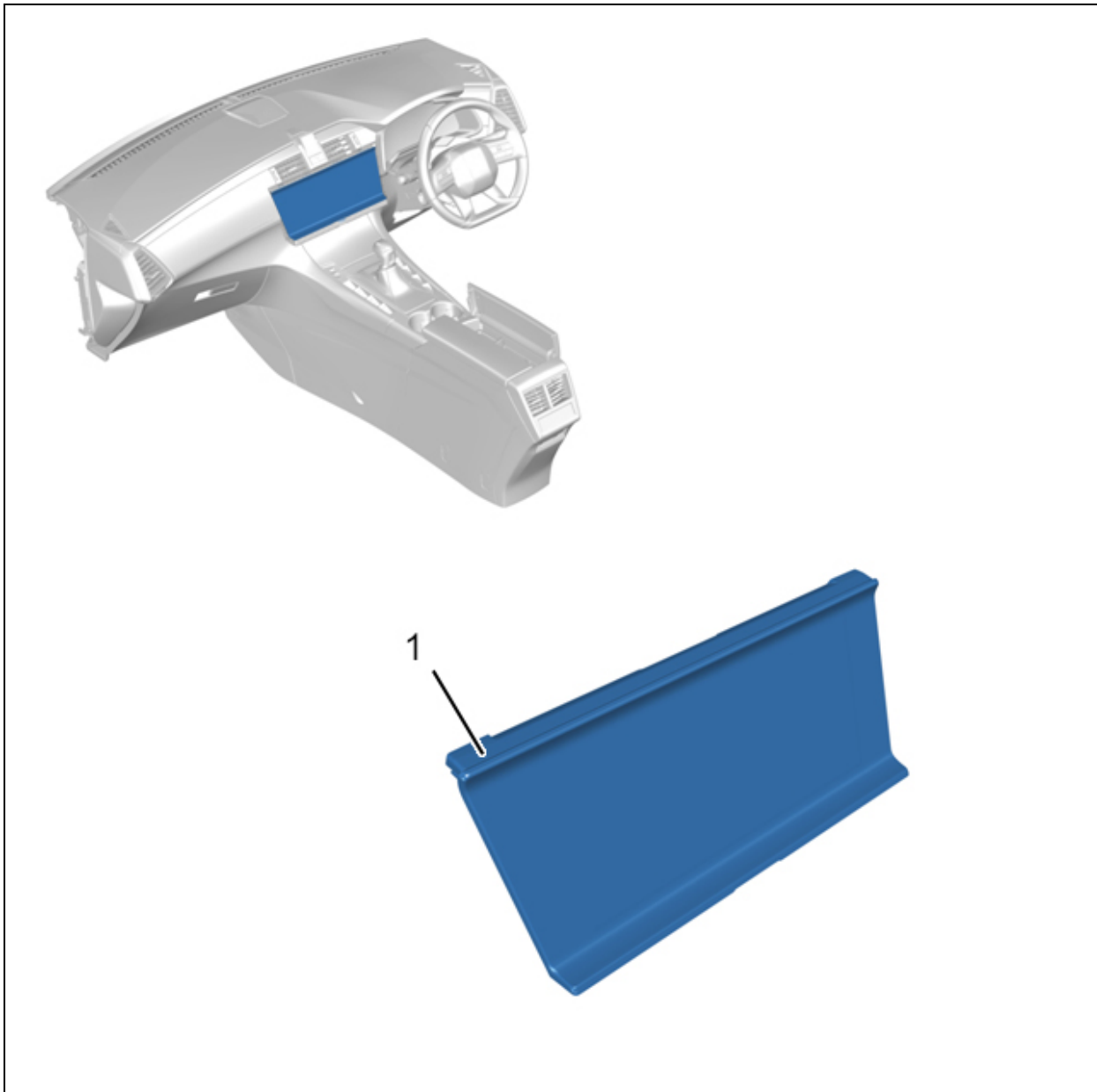


Figure : C5FG3I6P

Identification	Description	Quantity
(1)	Multifunction screen	1

2. Tooling

Tool	Reference	Description
<p>[1350-ZZ]</p>	[1350-ZZ]	Stripping tools

Figure : E5AG02MT

3. Preliminary operation

Disconnect the ancillaries battery ⓘ .

4. Removing

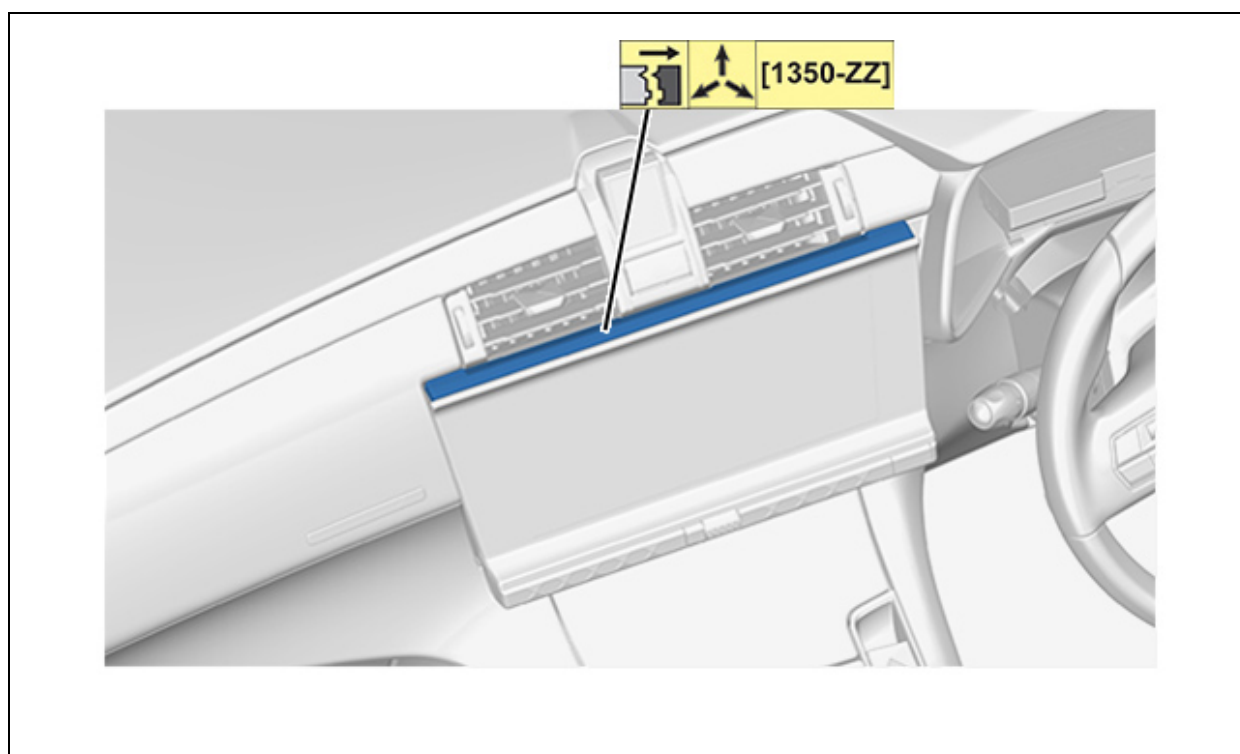


Figure : C5FG3I7D

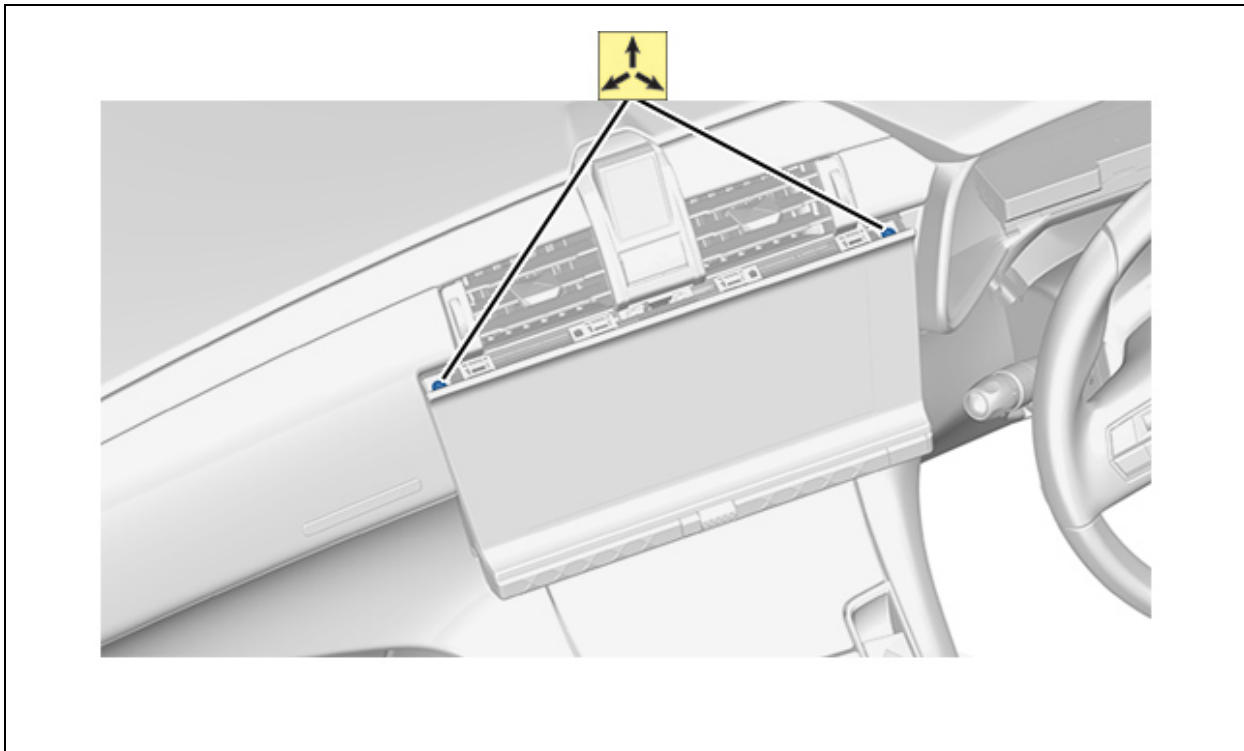


Figure : C5FG318D

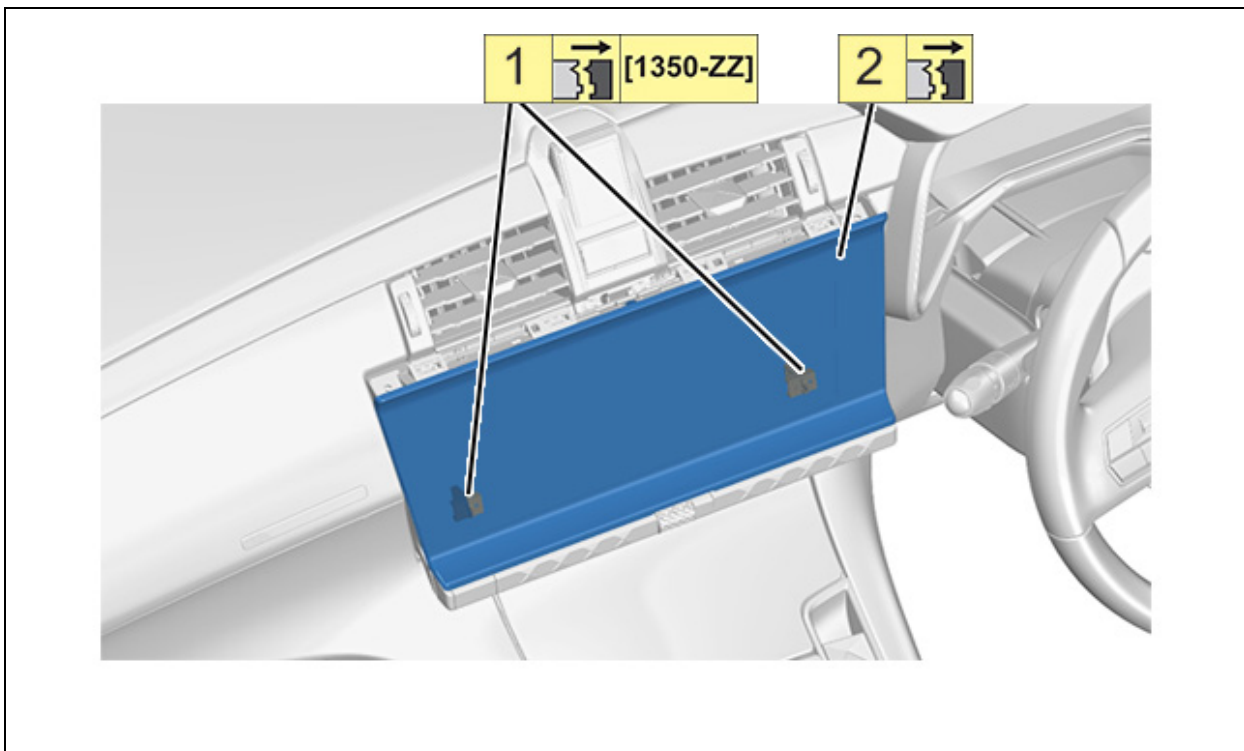


Figure : C5FG319D

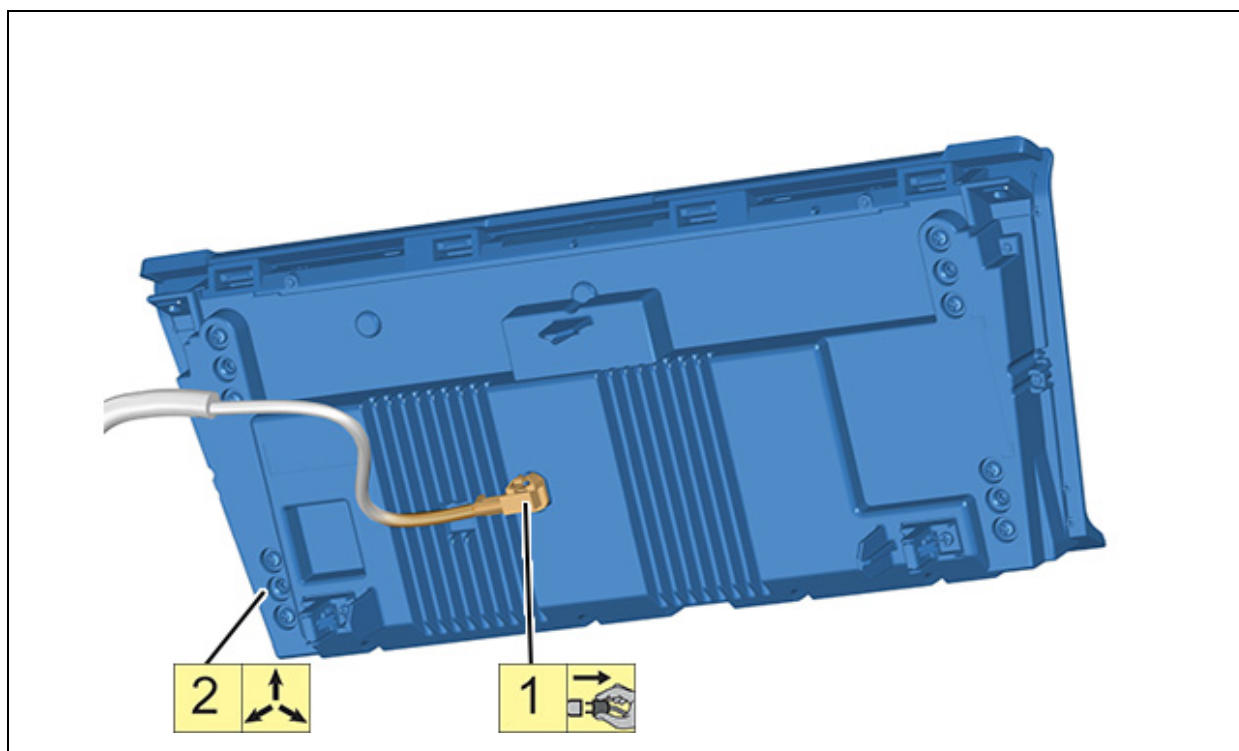


Figure : C5FG3IAD

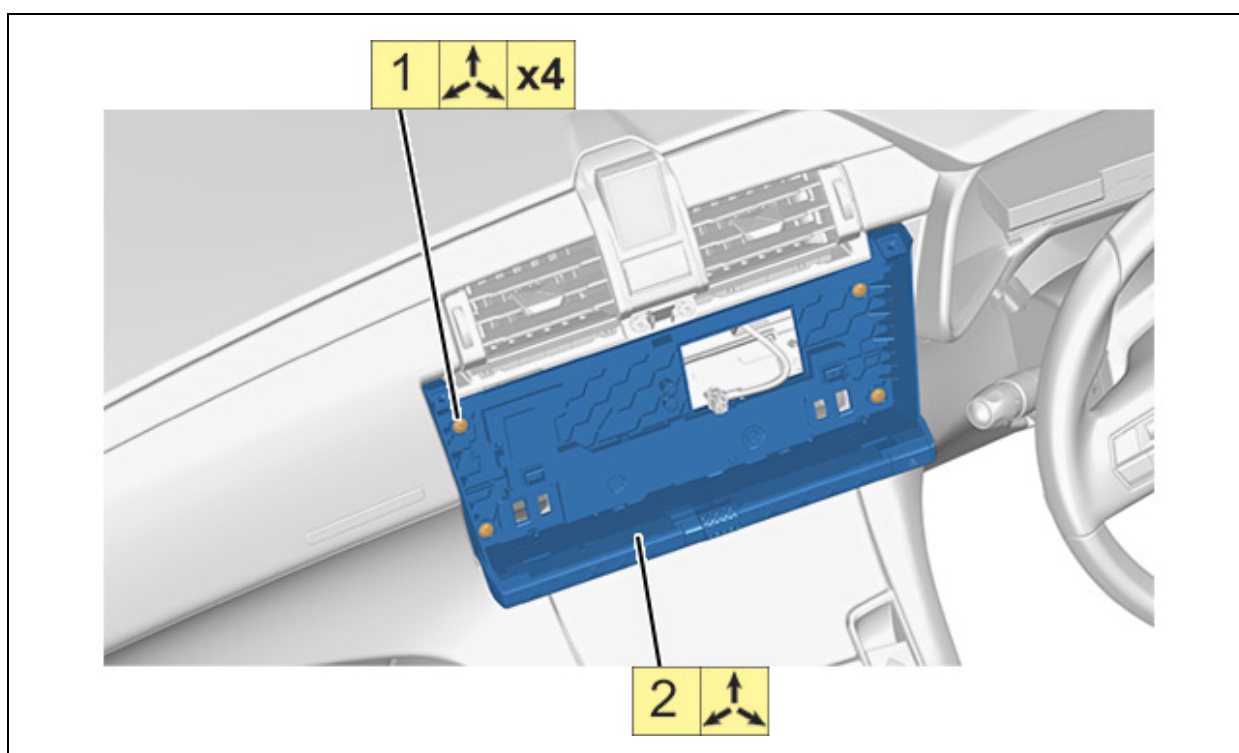


Figure : C5FG3IBD

5. Refitting

Proceed in the reverse order to removal.

6. Additional operations

CAUTION : Perform the operations that are necessary prior to a disconnection of the ancillaries

battery ⓘ .

Reconnect the ancillaries battery.

Check the operation of the various equipment.