

REMOVING - REFITTING : INSTRUMENT PANEL

ESSENTIAL : Observe the safety and cleanliness recommendations ⓘ .

Key : **Operation symbols** ⓘ .

1. Location

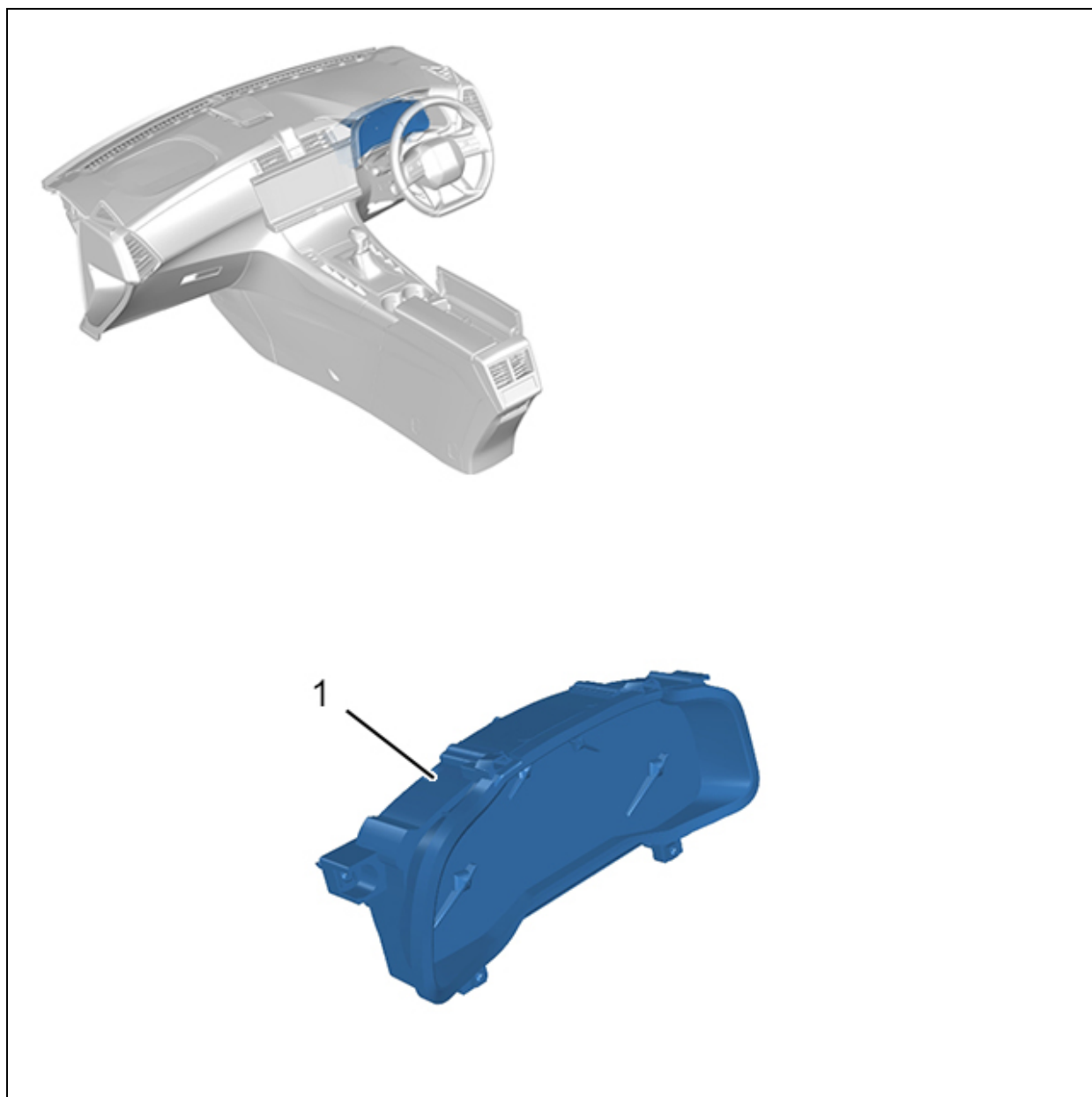


Figure : C5FG3JXP

Identification	Description	Quantity
(1)	Instrument panel	1

2. Tooling

Tool	Reference	Description
<p>[1350-ZZ]</p>	[1350-ZZ]	Stripping tools

Figure : E5AG02MT

3. Preliminary operation

Disconnect the ancillaries battery .

4. Removing

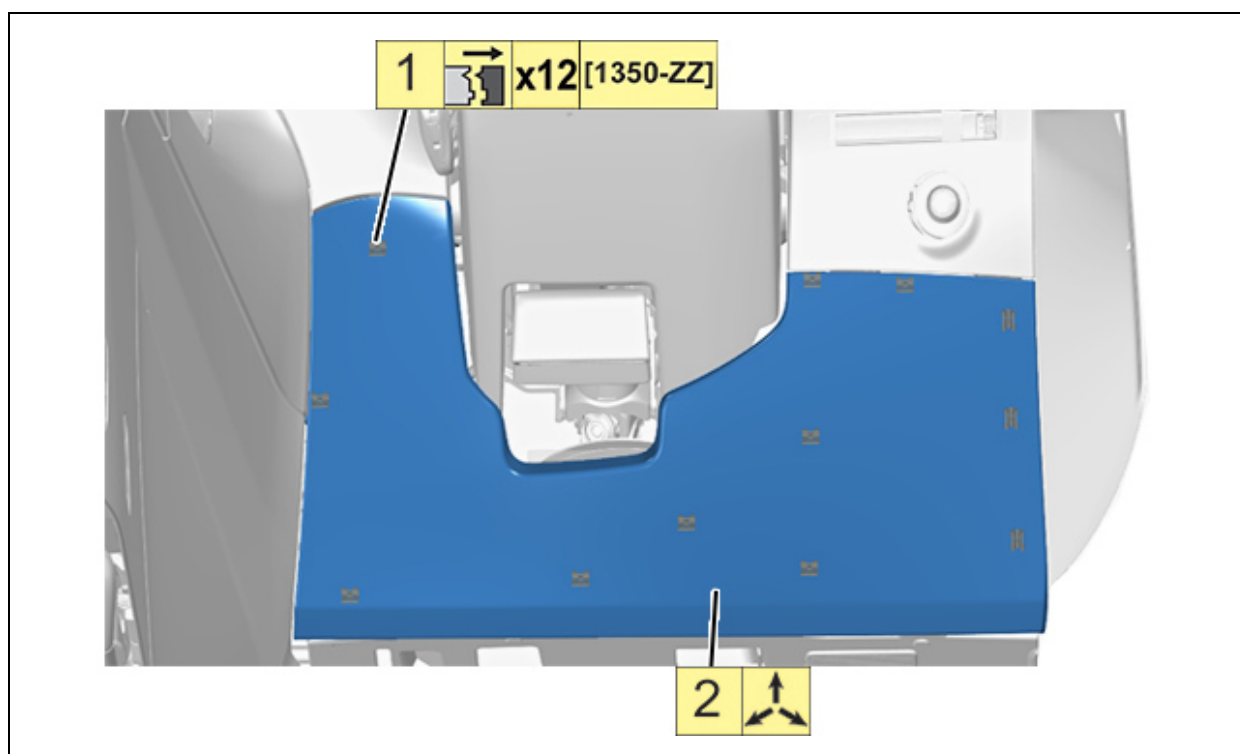


Figure : C5FG3JYD

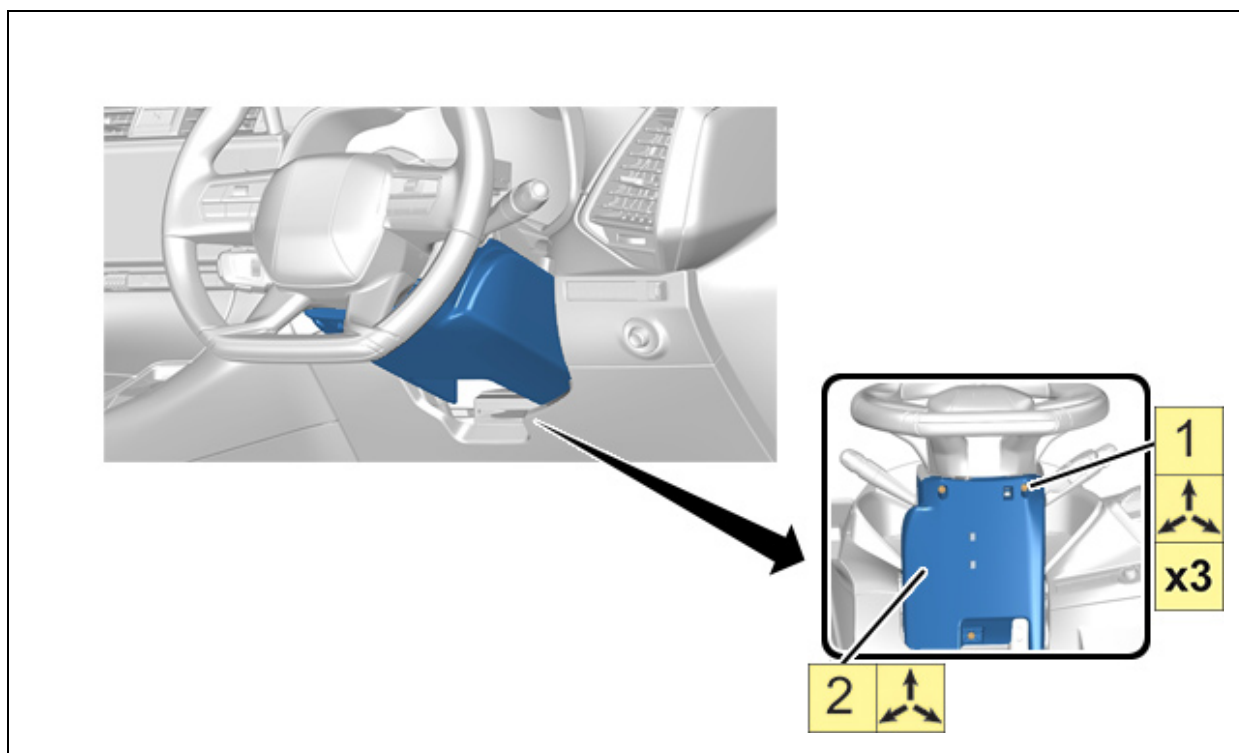


Figure : C5FG3JZD

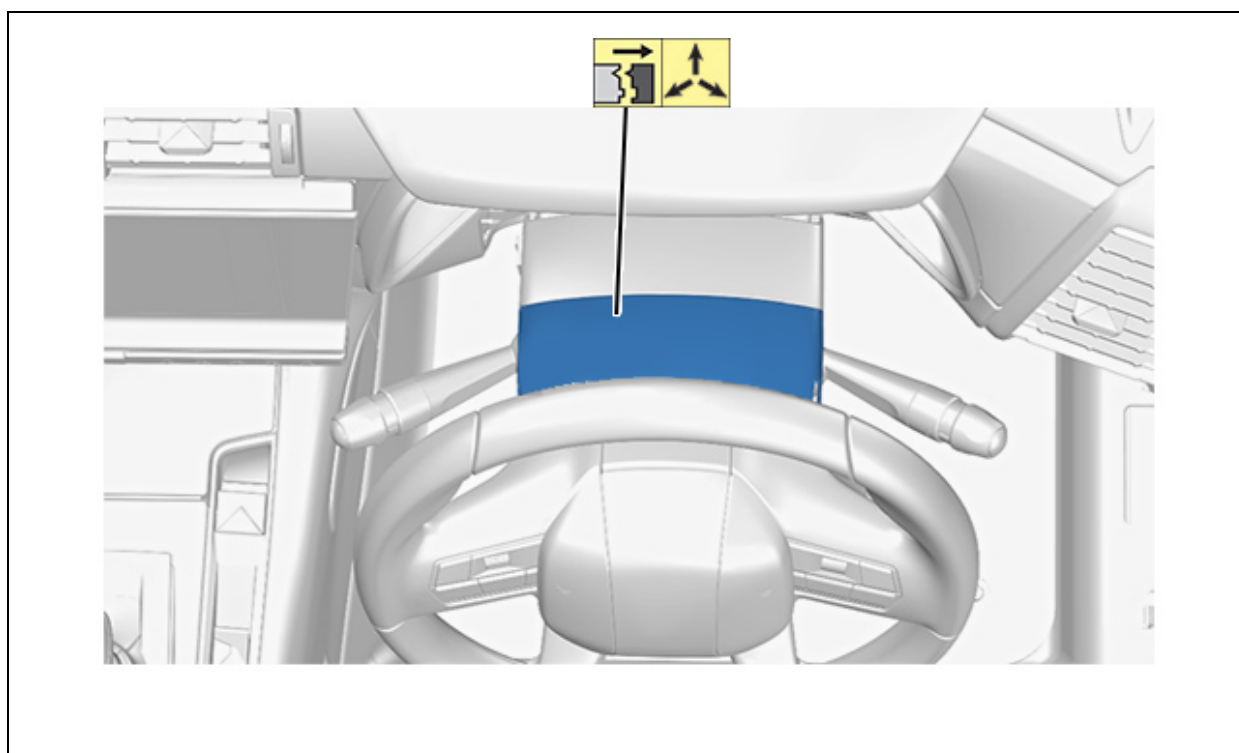


Figure : C5FG3K0D

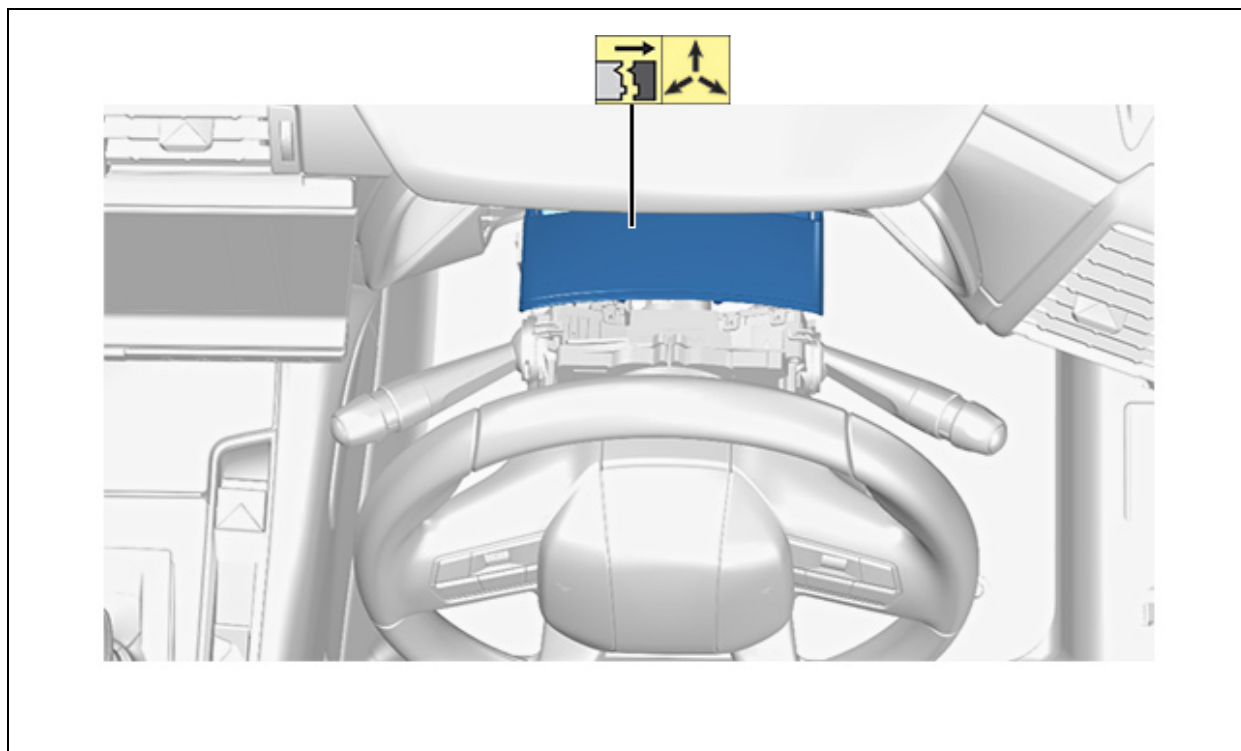


Figure : C5FG3K1D

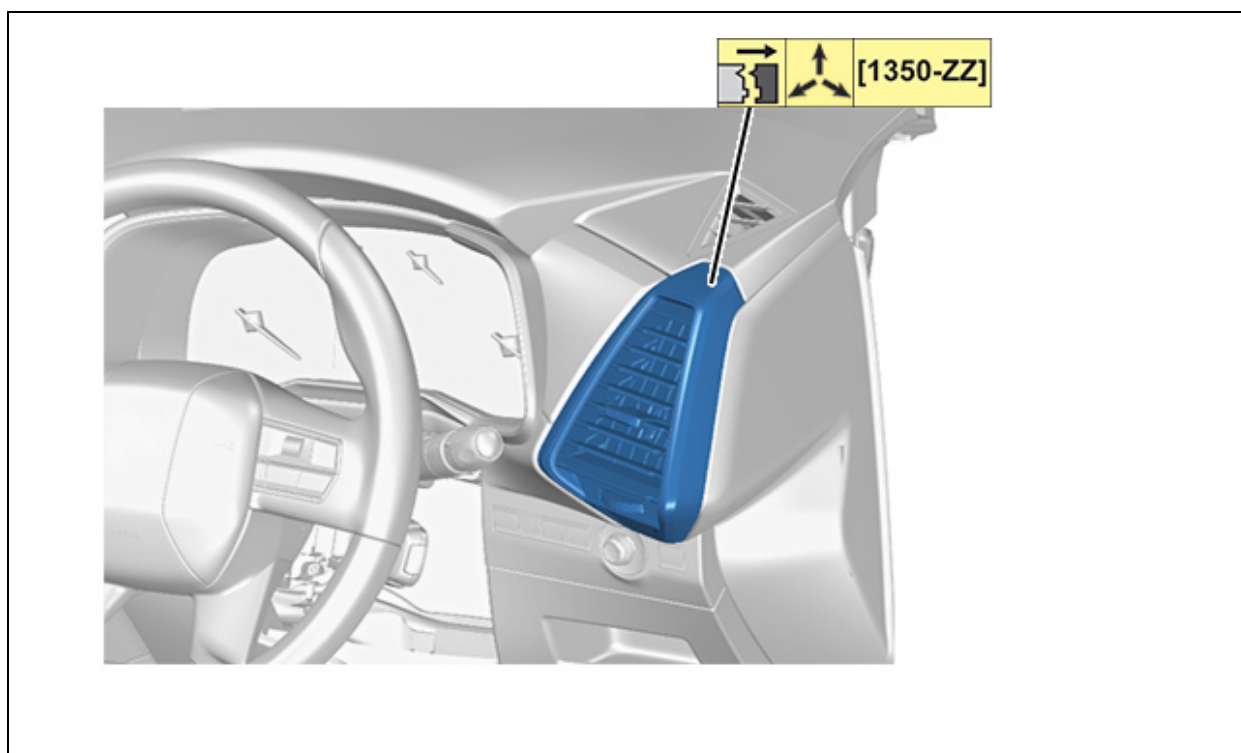


Figure : C5FG3K2D

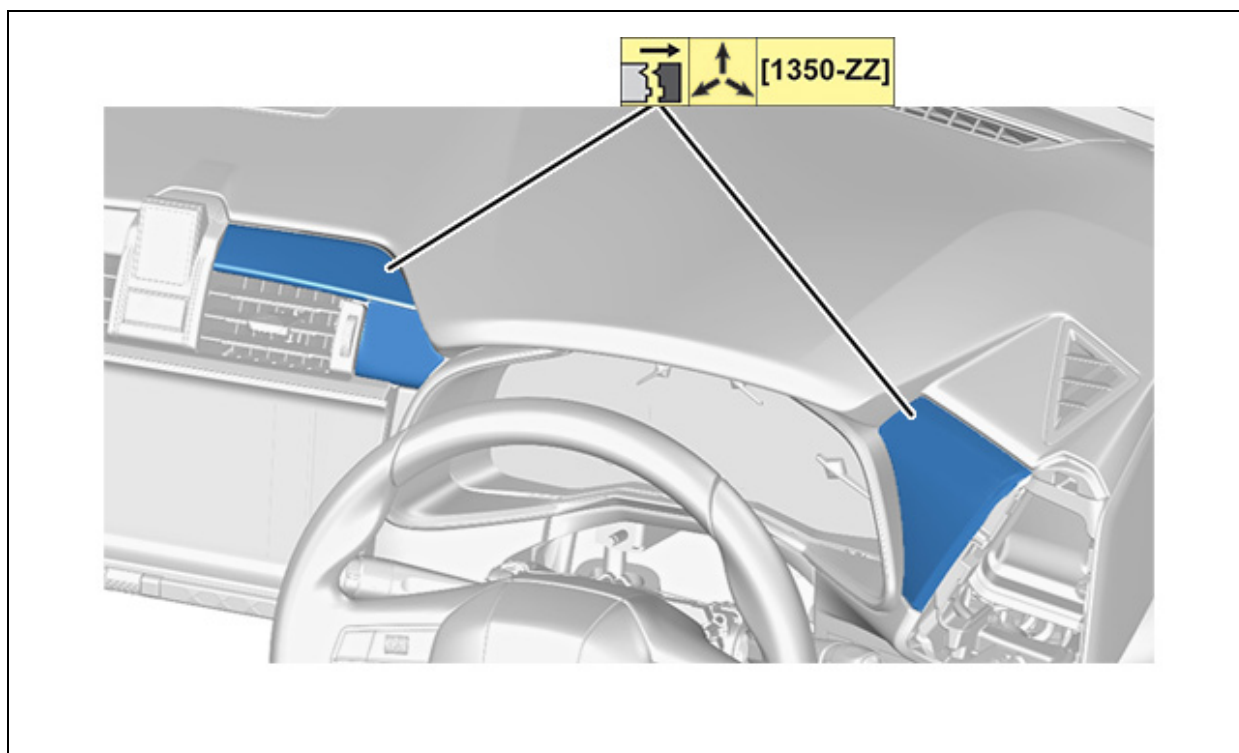


Figure : C5FG3K3D

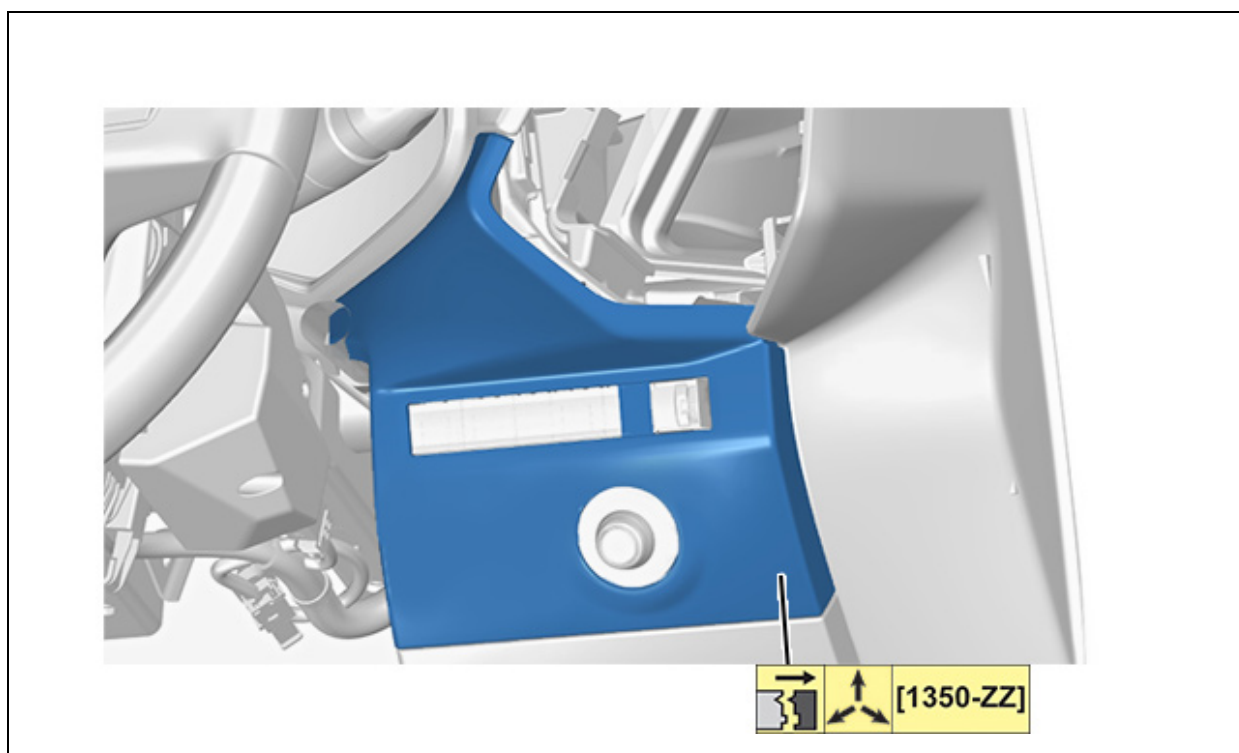


Figure : C5FG3K4D

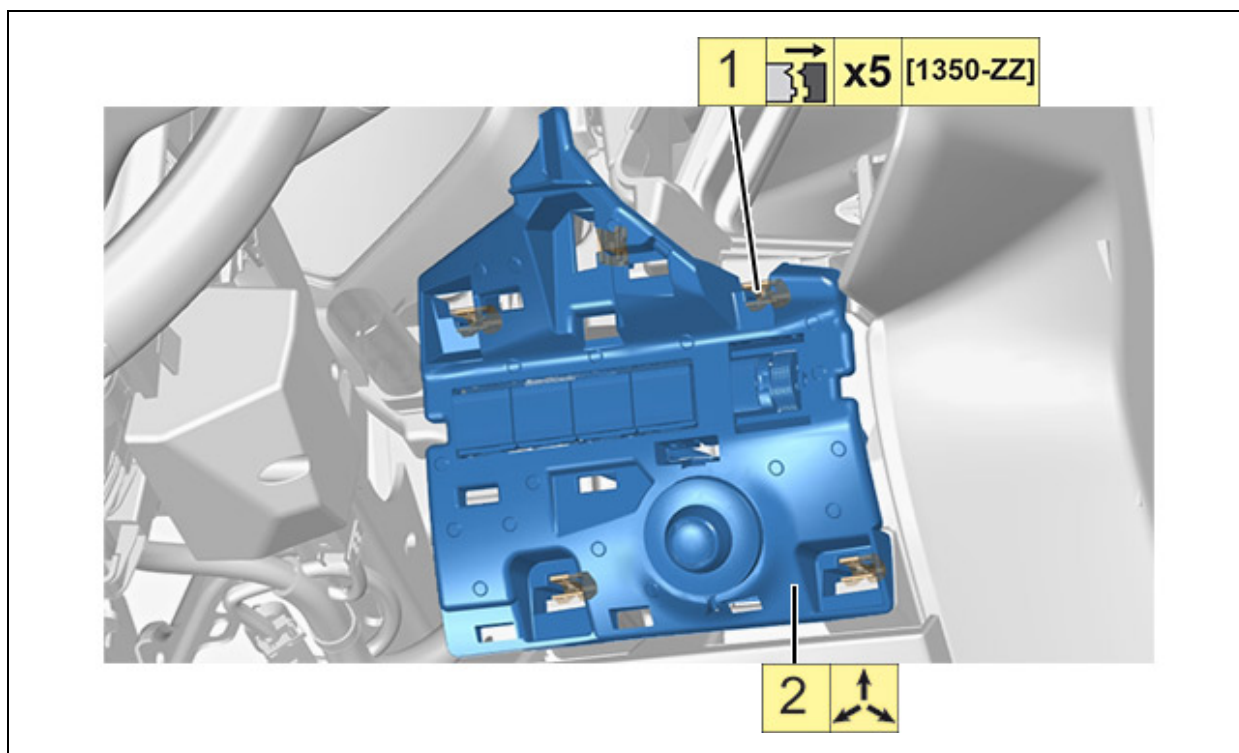


Figure : C5FG3K5D

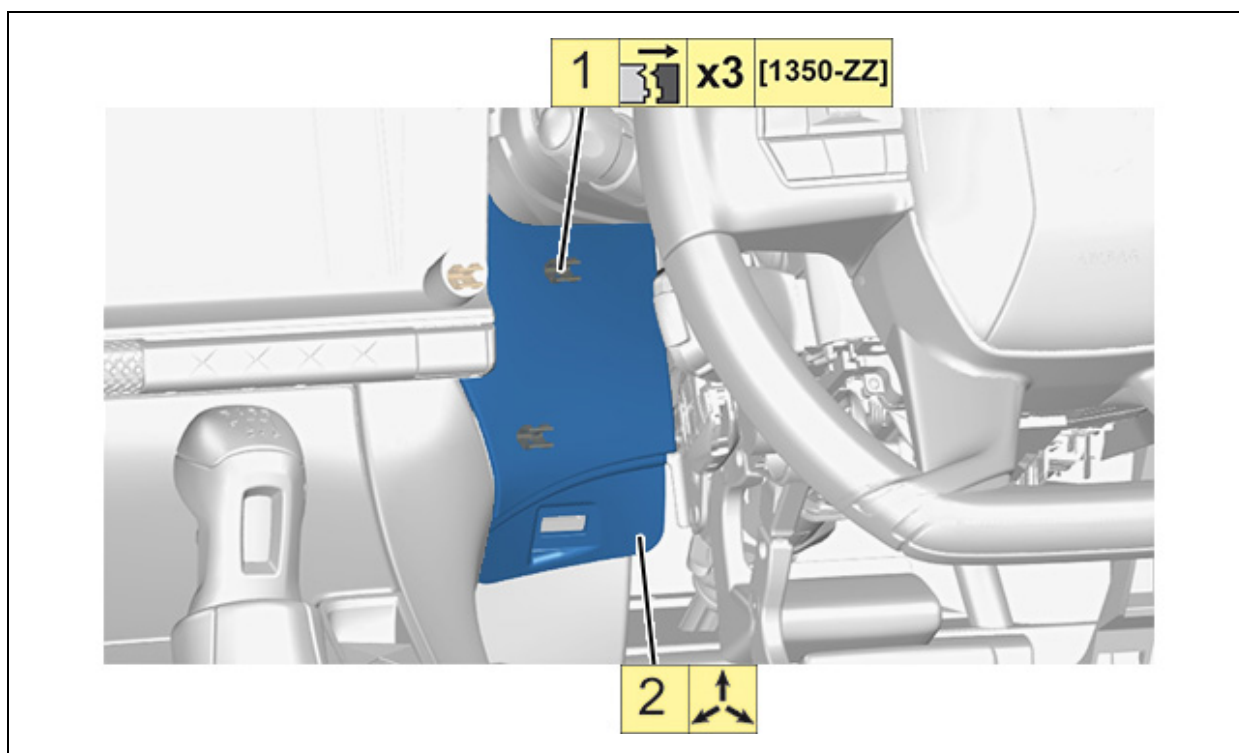


Figure : C5FG3K6D

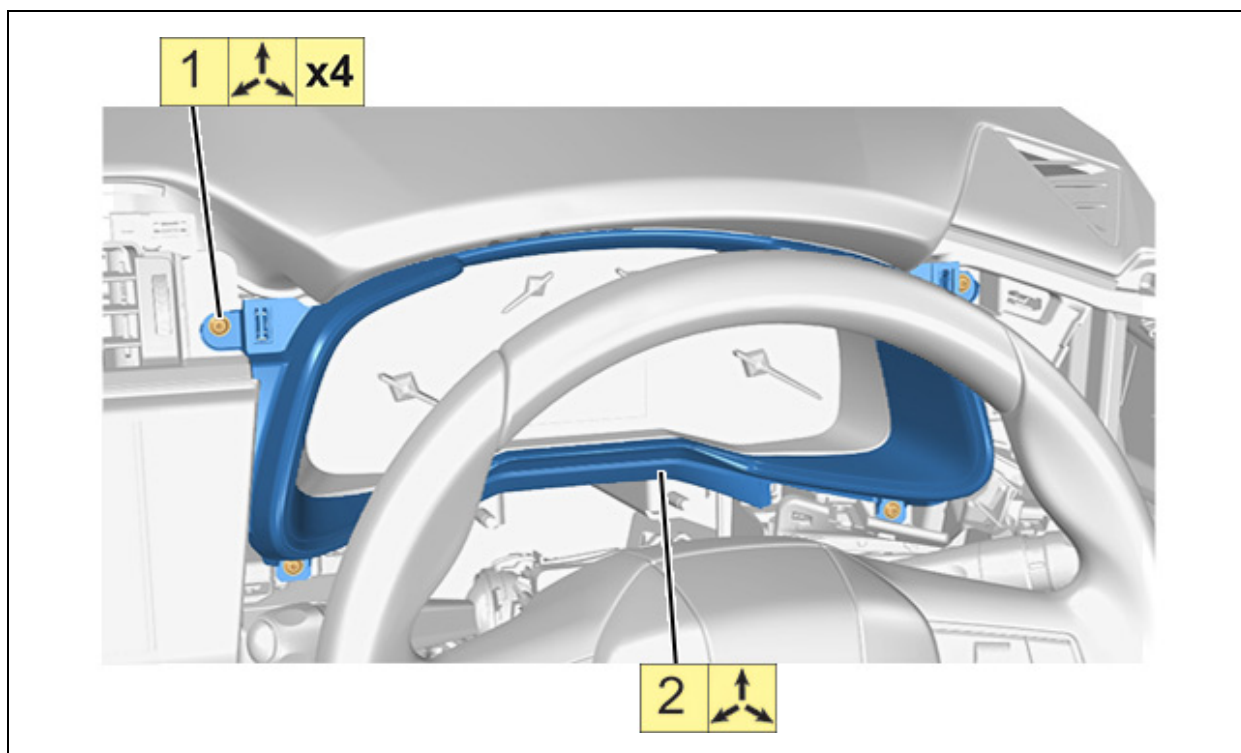


Figure : C5FG3K7D

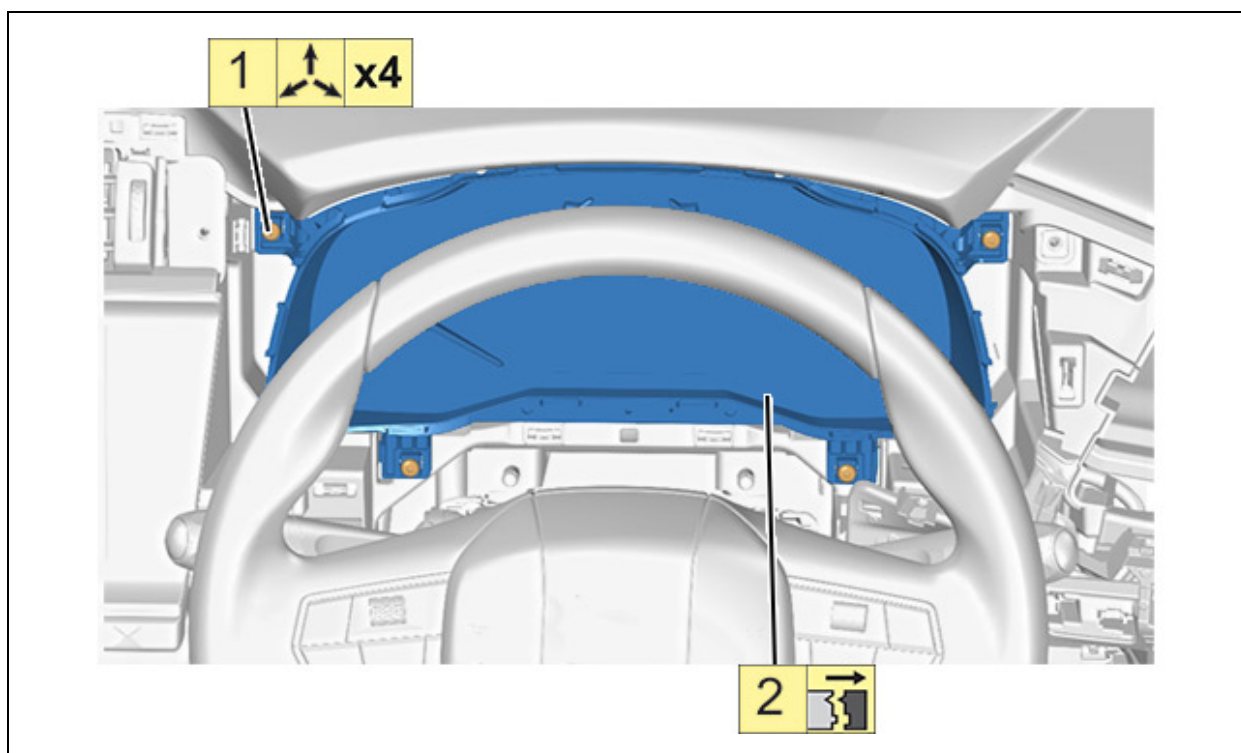


Figure : C5FG3K8D

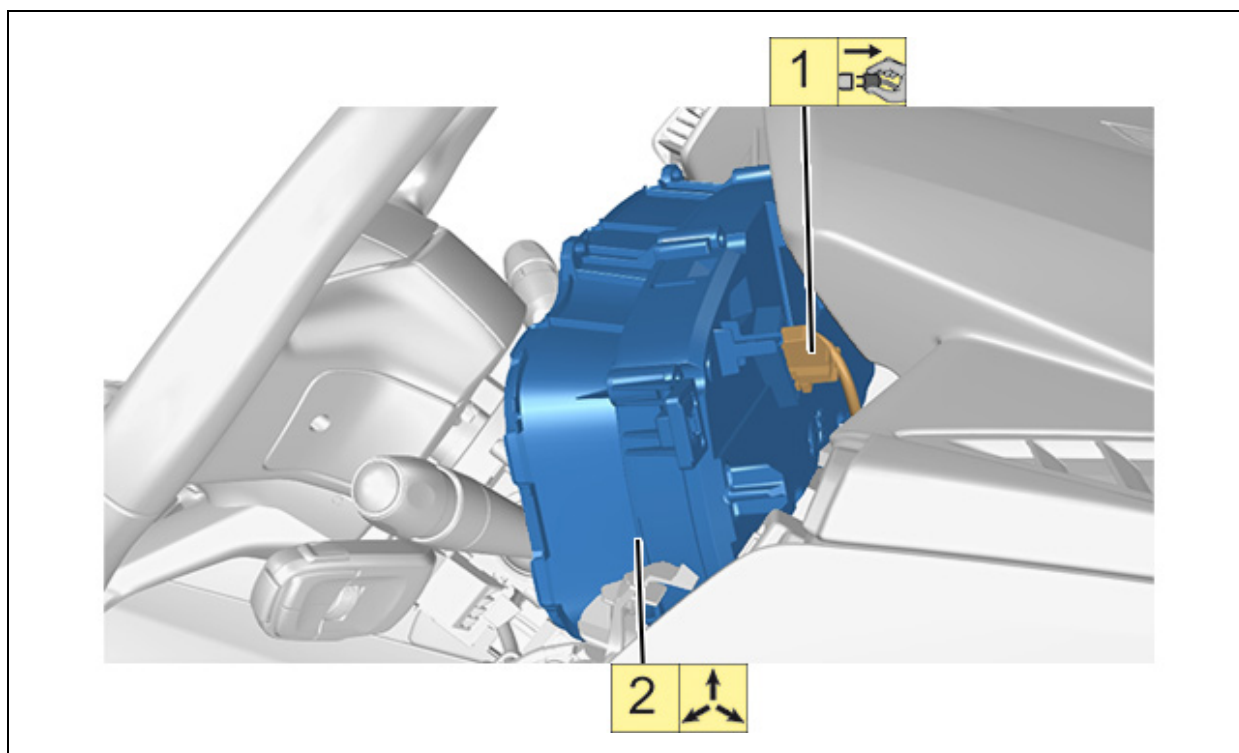


Figure : C5FG3K9D

5. Refitting

Proceed in the reverse order to removal.

6. Additional operations

CAUTION : Perform the operations that are required following a reconnection of the ancillaries battery .

Reconnect the ancillaries battery.

Check the operation of the various equipment.