

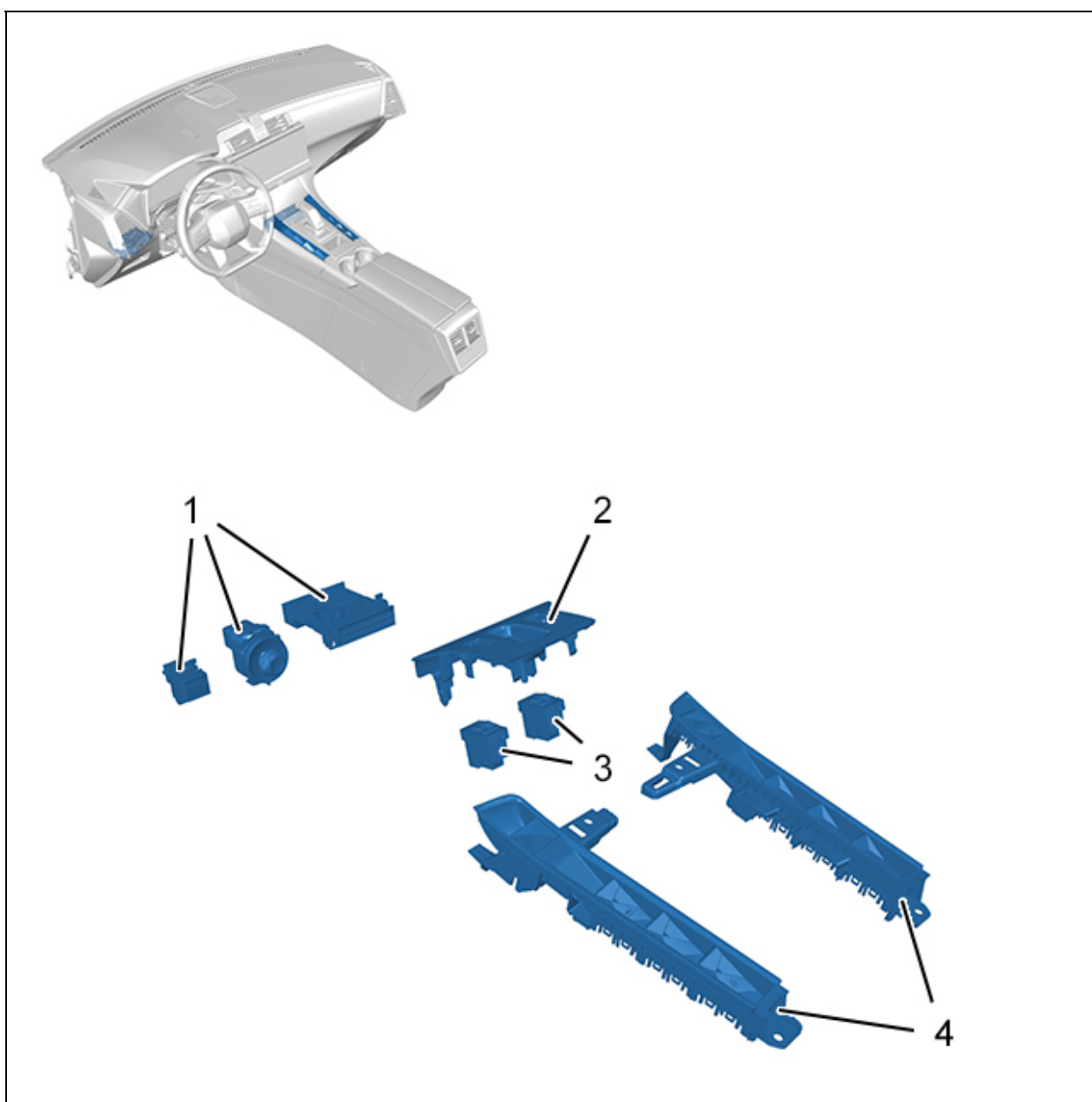
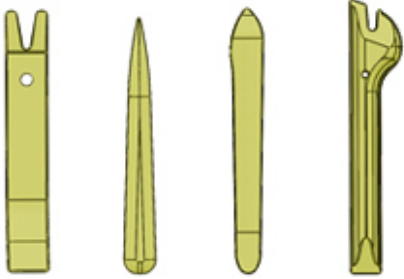
**REMOVING - REFITTING : DASHBOARD/CENTRE CONSOLE SWITCH ASSEMBLY***LEFT-HAND DRIVE AND PHEV DRIVE TRAIN***ESSENTIAL** : Observe the safety and cleanliness recommendations ⓘ .**ESSENTIAL** : Only those personnel that have received training specific to electric vehicles are qualified to operate on the vehicle (please observe the regulations that are in force in the country concerned).Key : **Operation symbols** ⓘ .**1. Location**

Figure : C5FG303P

Identification	Description	Quantity
(1)	Dashboard switches	3

(2)	Heated pads and ventilation switch support	1
(3)	Heated pads and ventilation switches	2
(4)	Centre console switches	2

## 2. Tooling

Tool	Reference	Description
 <p>[1350-ZZ]</p> <p>Figure : E5AG02MT</p>	[1350-ZZ]	Stripping tools

## 3. Preliminary operation

**CAUTION** : Perform the operations that are necessary prior to a disconnection of the ancillaries battery  .

**Disconnect the ancillaries batteries**  (Following a specific procedure).

## 4. Removing

### 4.1. Dashboard switches



Figure : C5FG3M4D

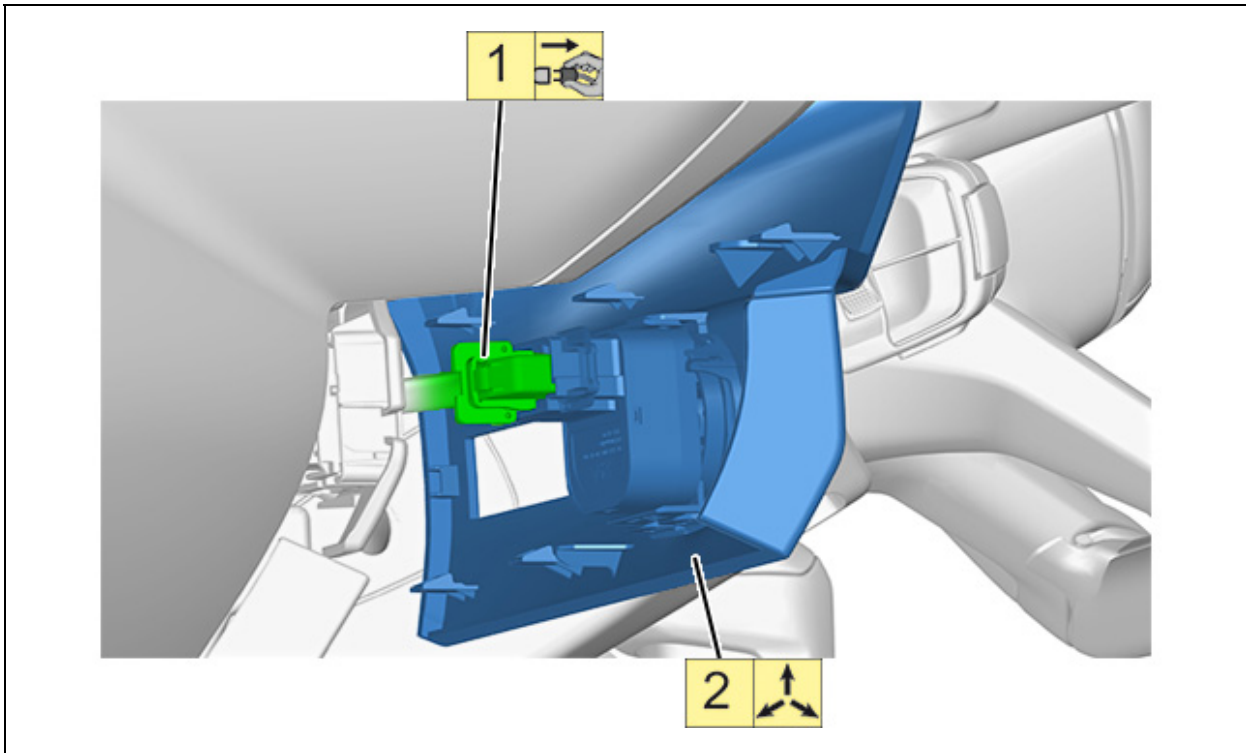


Figure : C5FG3M5D

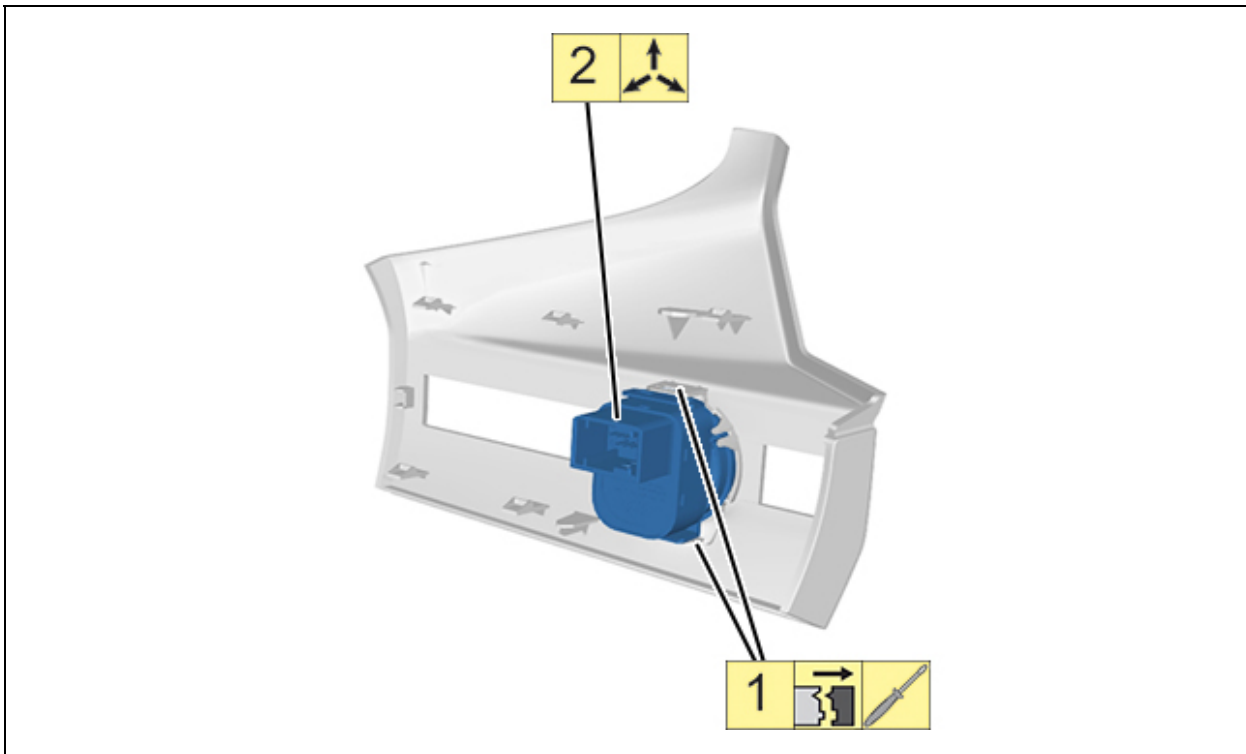


Figure : C5FG3M6D

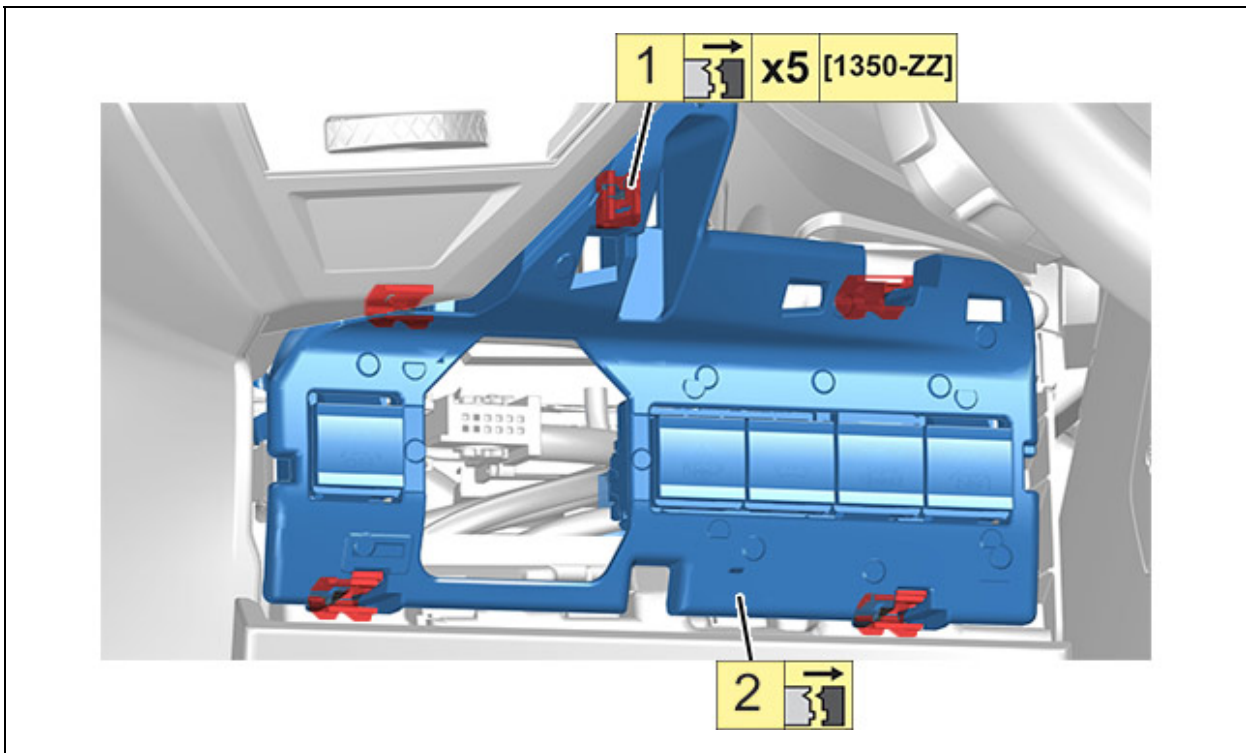


Figure : C5FG3M7D

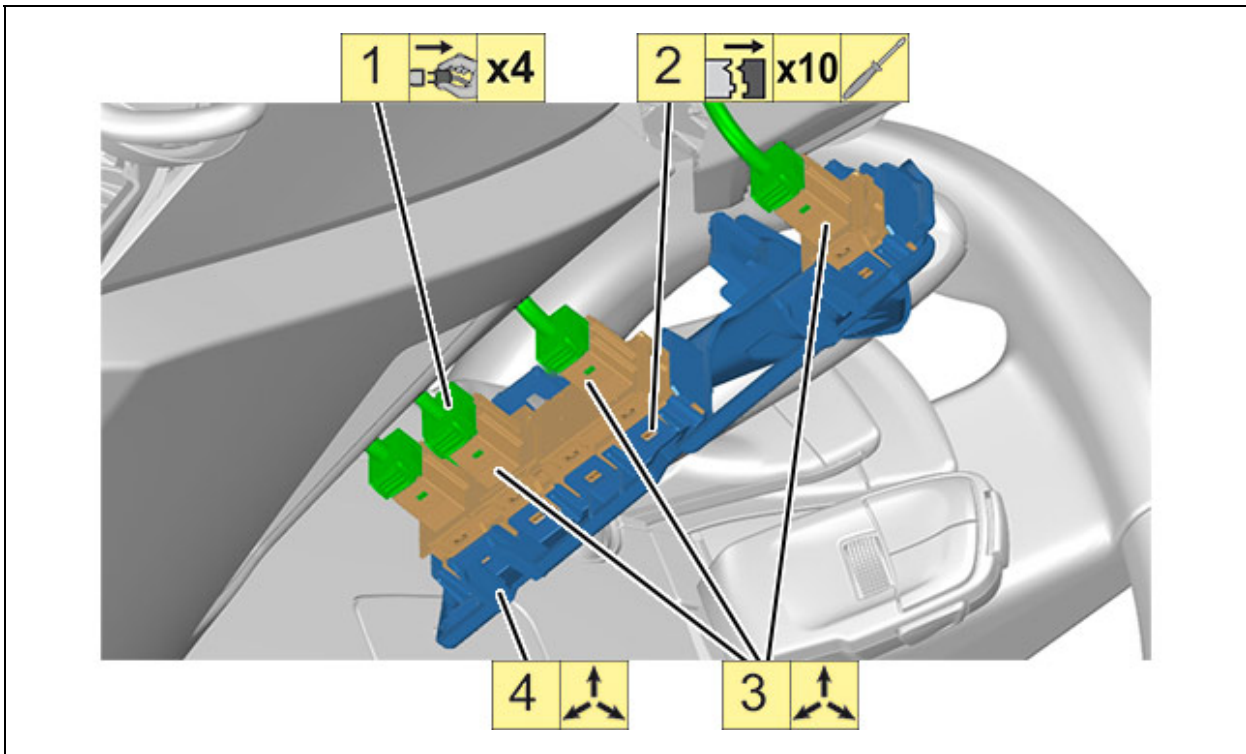


Figure : C5FG3M8D

#### 4.2. Centre console armrest

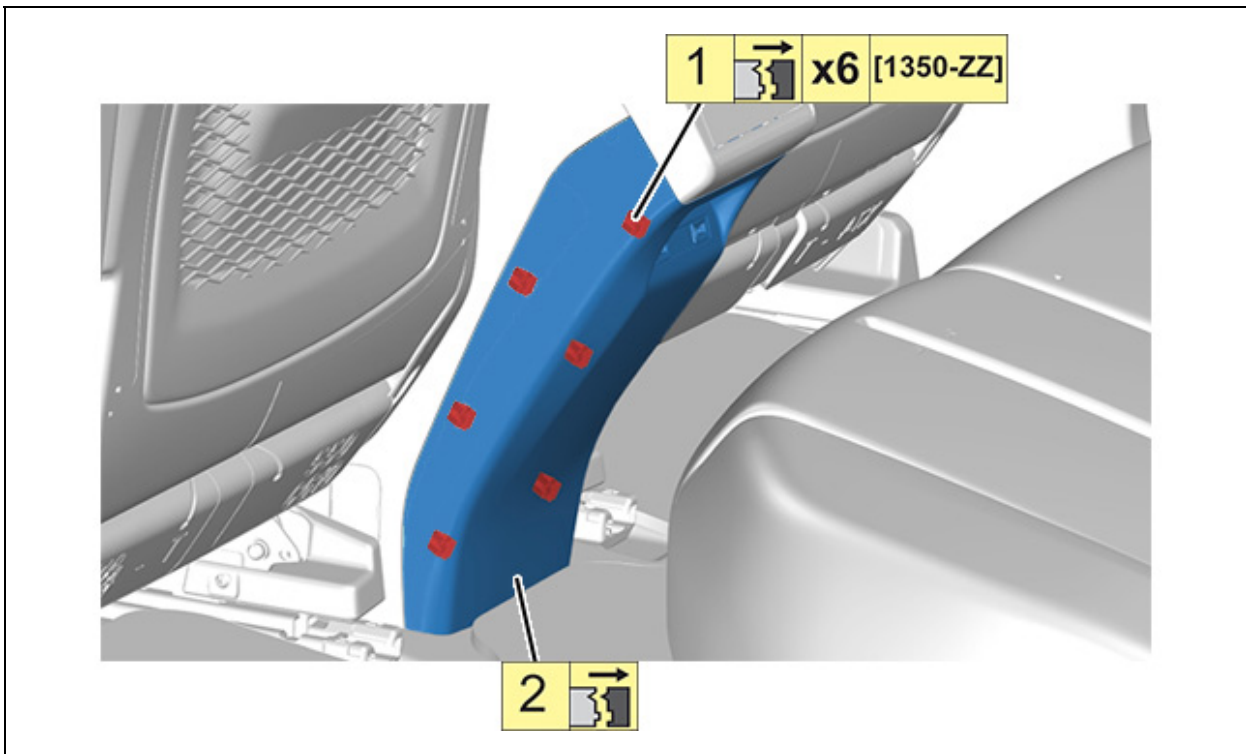


Figure : C5FG3O4D

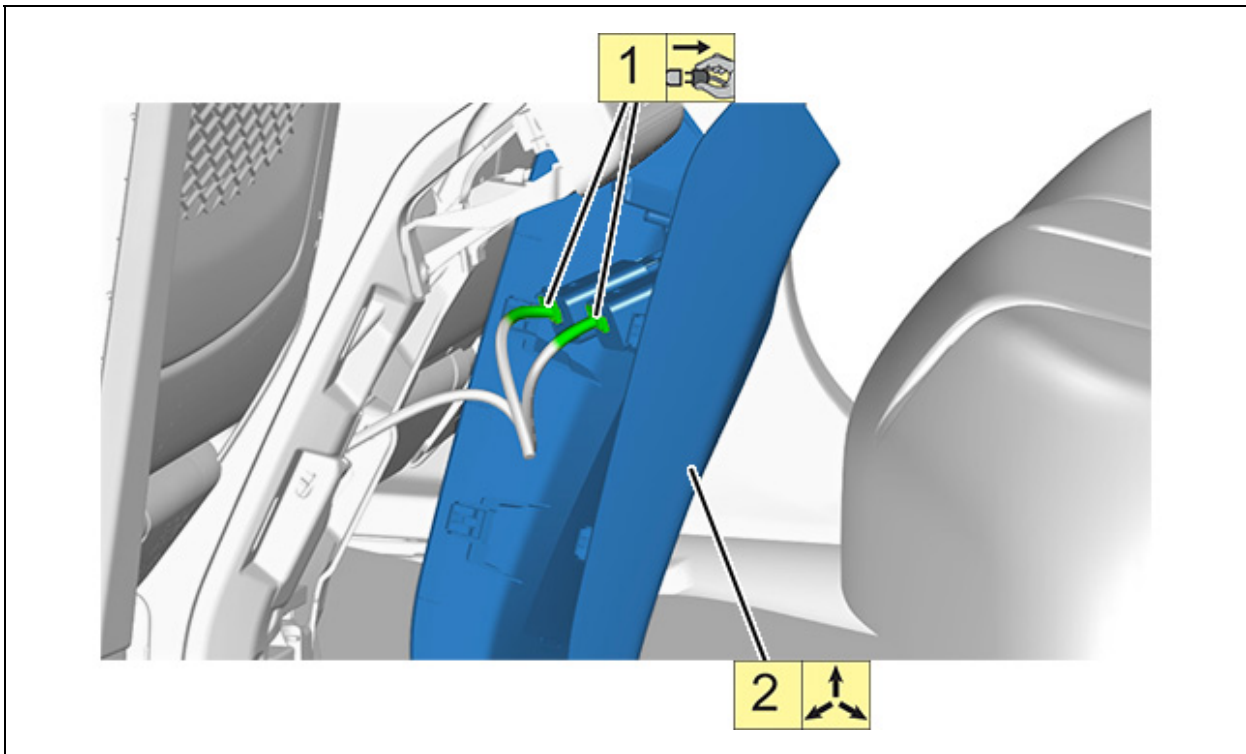


Figure : C5FG305D

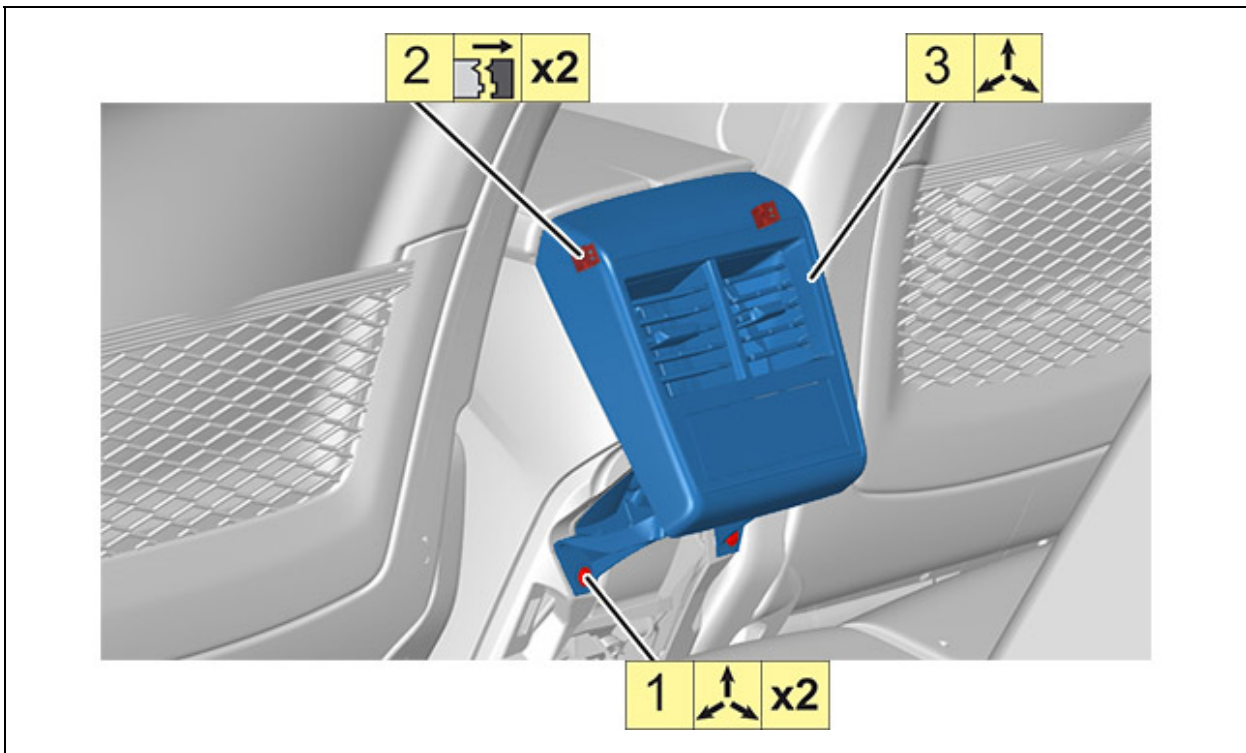


Figure : C5FG306D

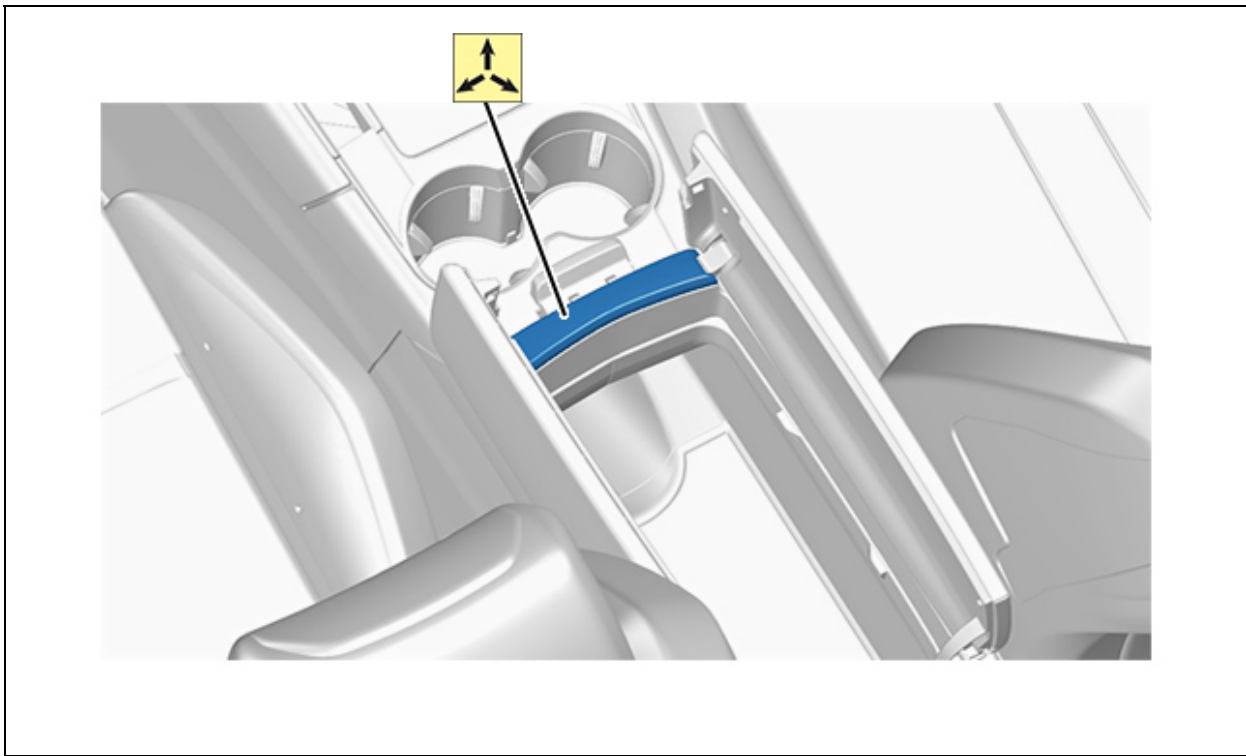


Figure : C5FG307D

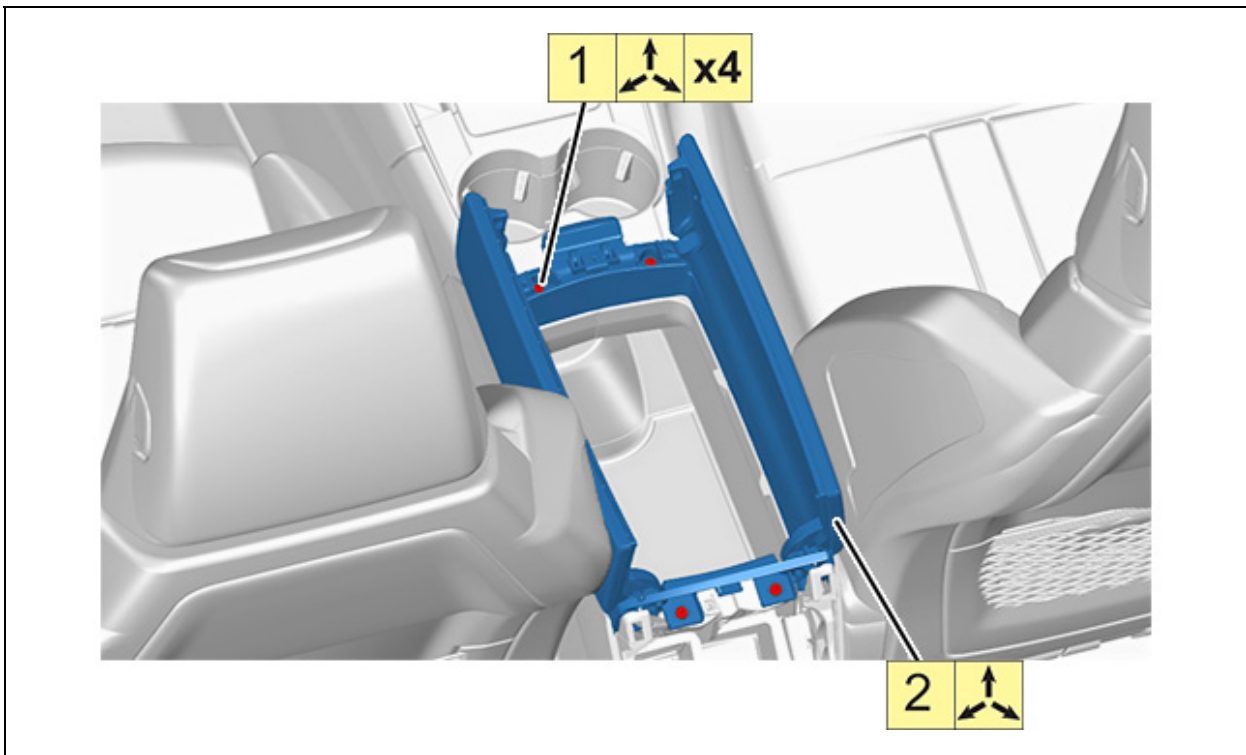


Figure : C5FG308D

### 4.3. Centre console switches

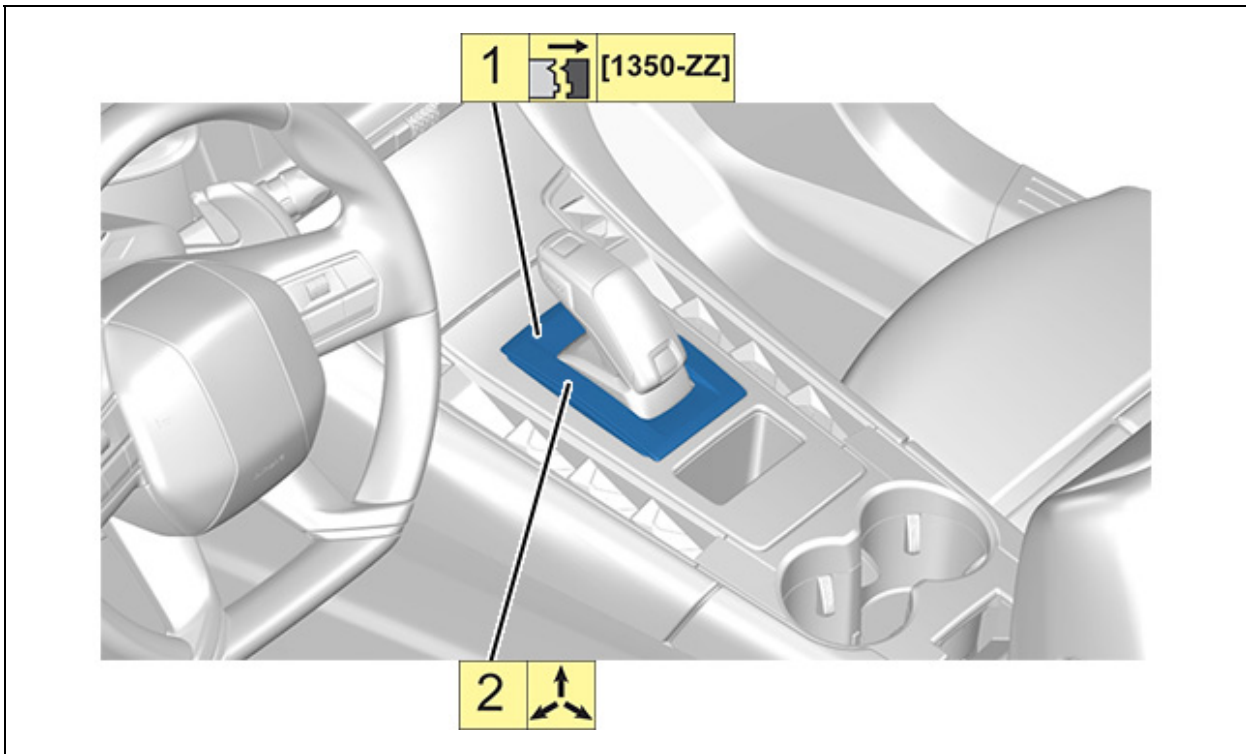


Figure : C5FG309D

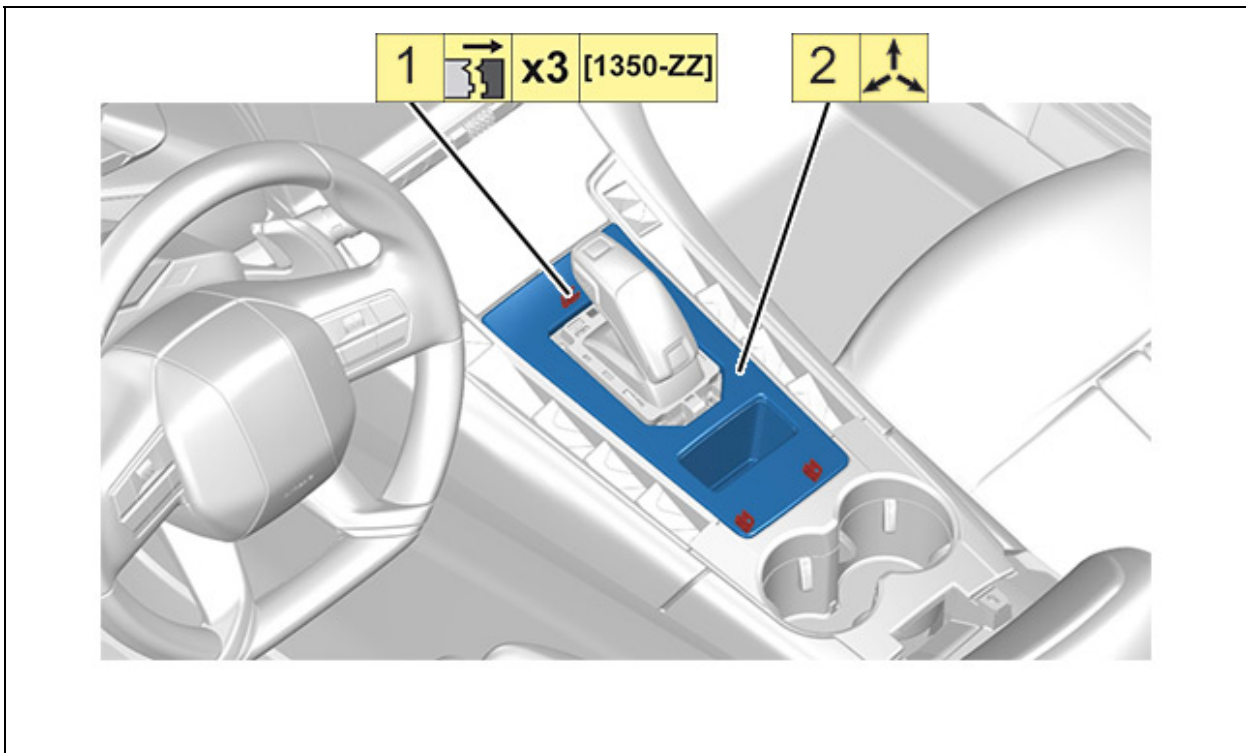


Figure : C5FG30AD



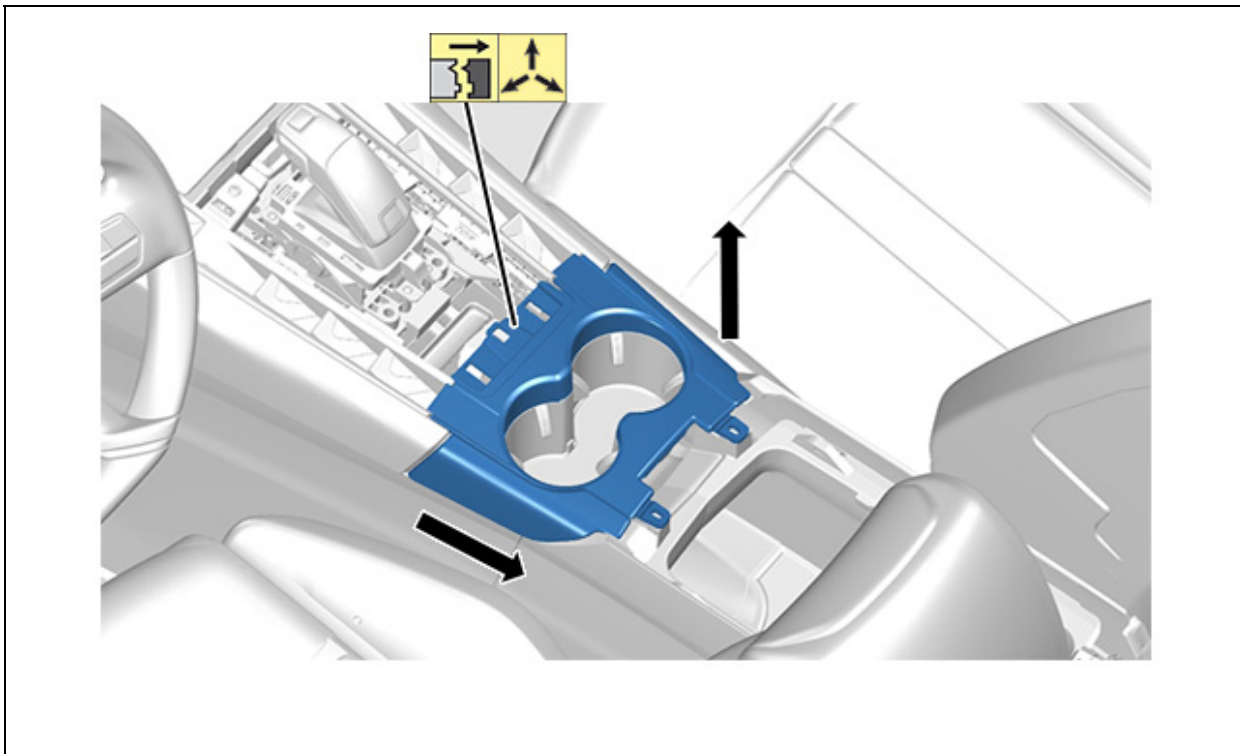


Figure : C5FG3OBD

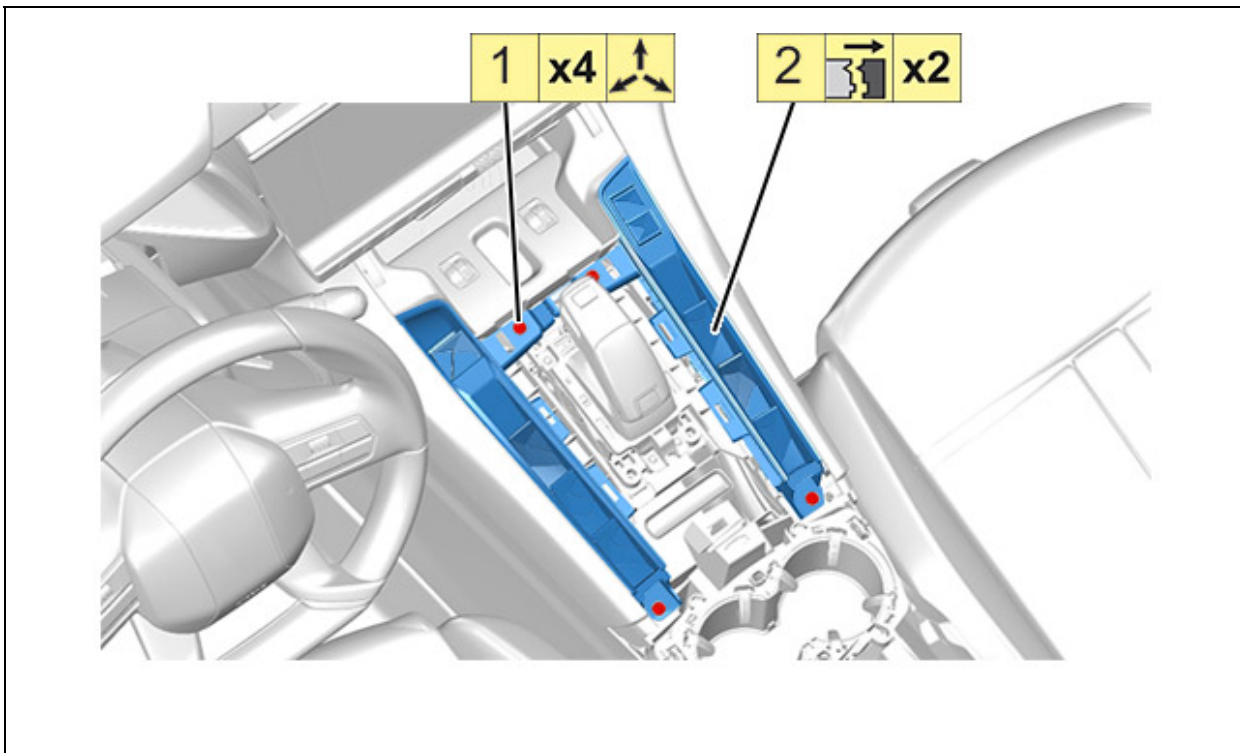


Figure : C5FG3OCD

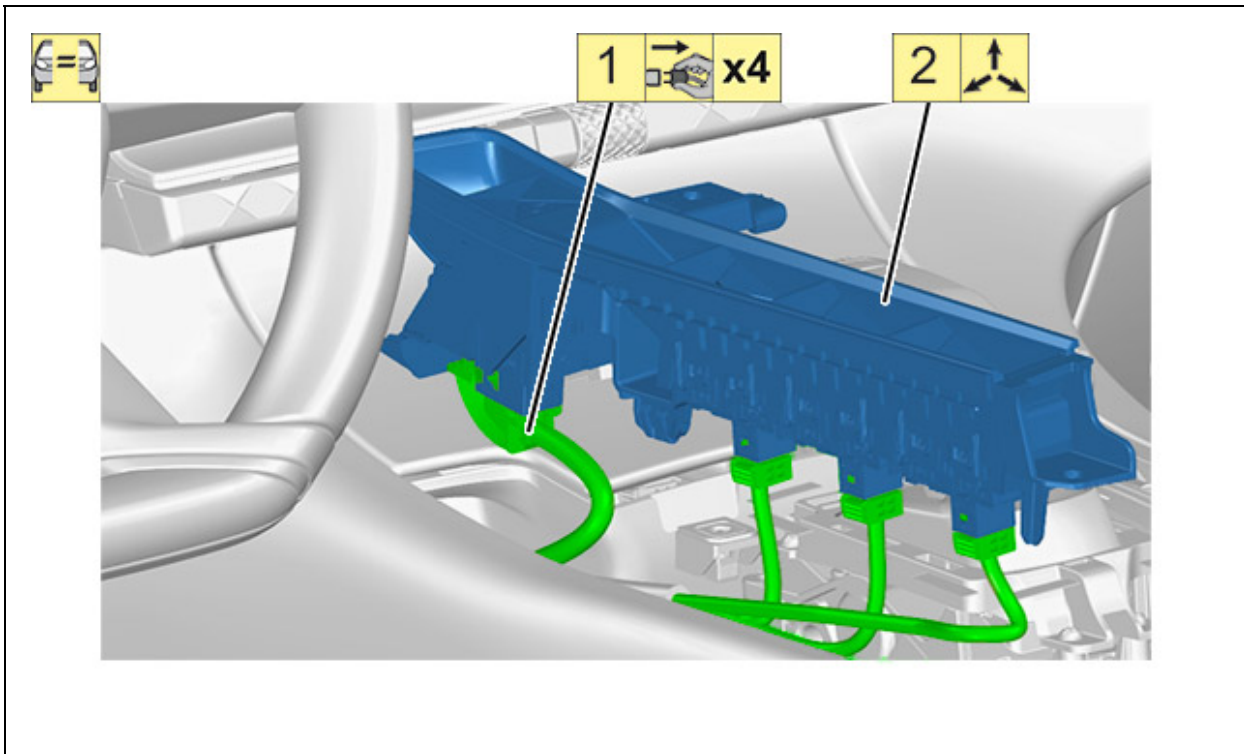


Figure : C5FG3MDD

#### 4.4. Heated pads and ventilation switches

**N.B.** : (\*) Open the cover of the glove box.

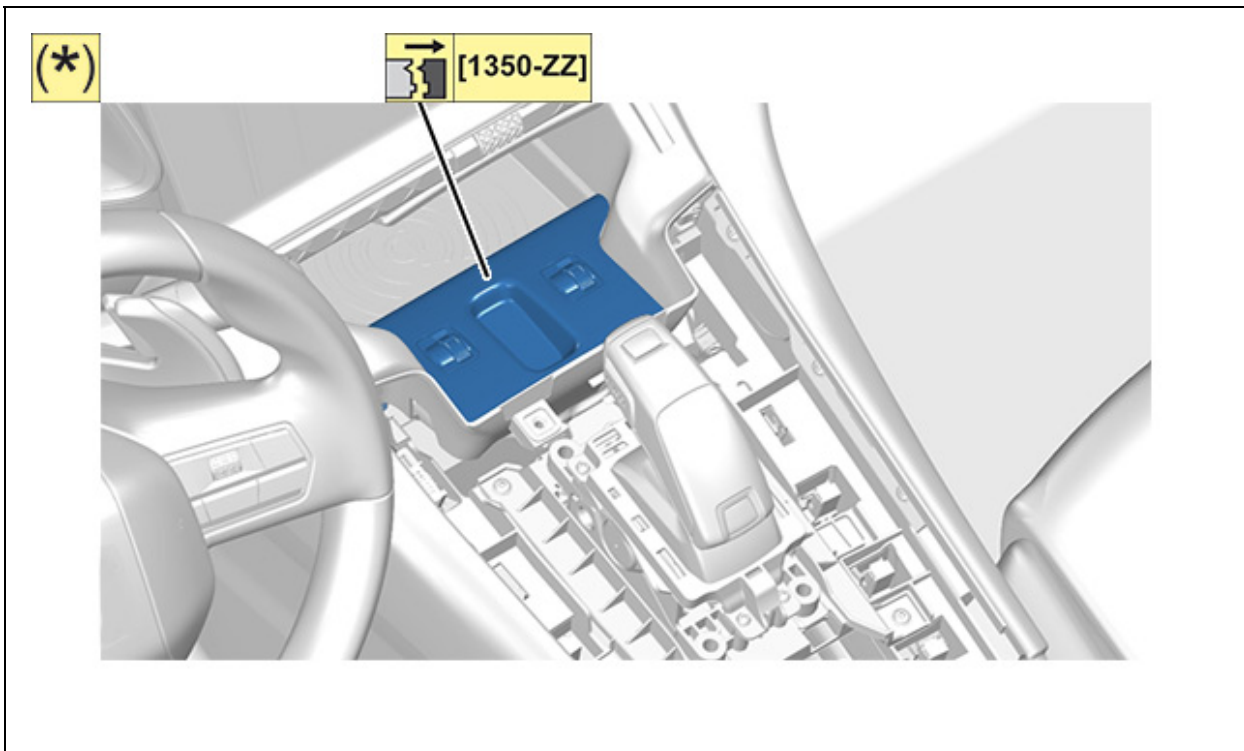


Figure : C5FG3ODD

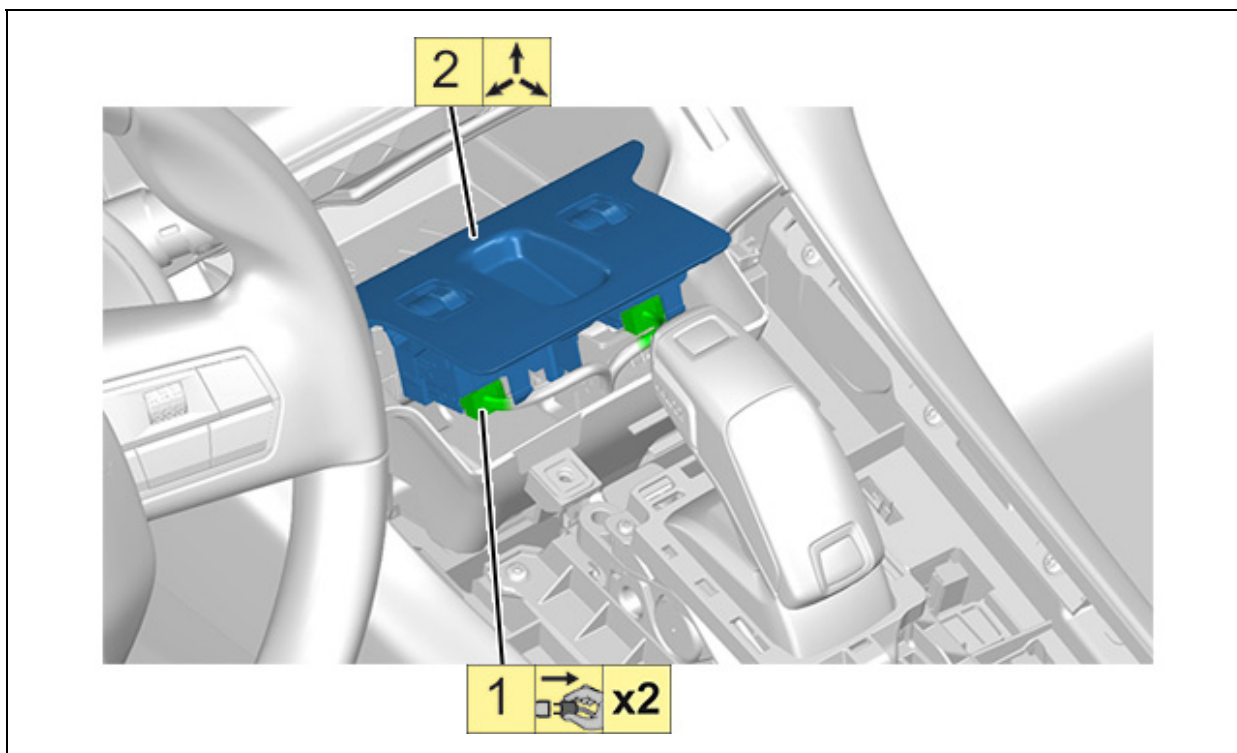


Figure : C5FG3OED

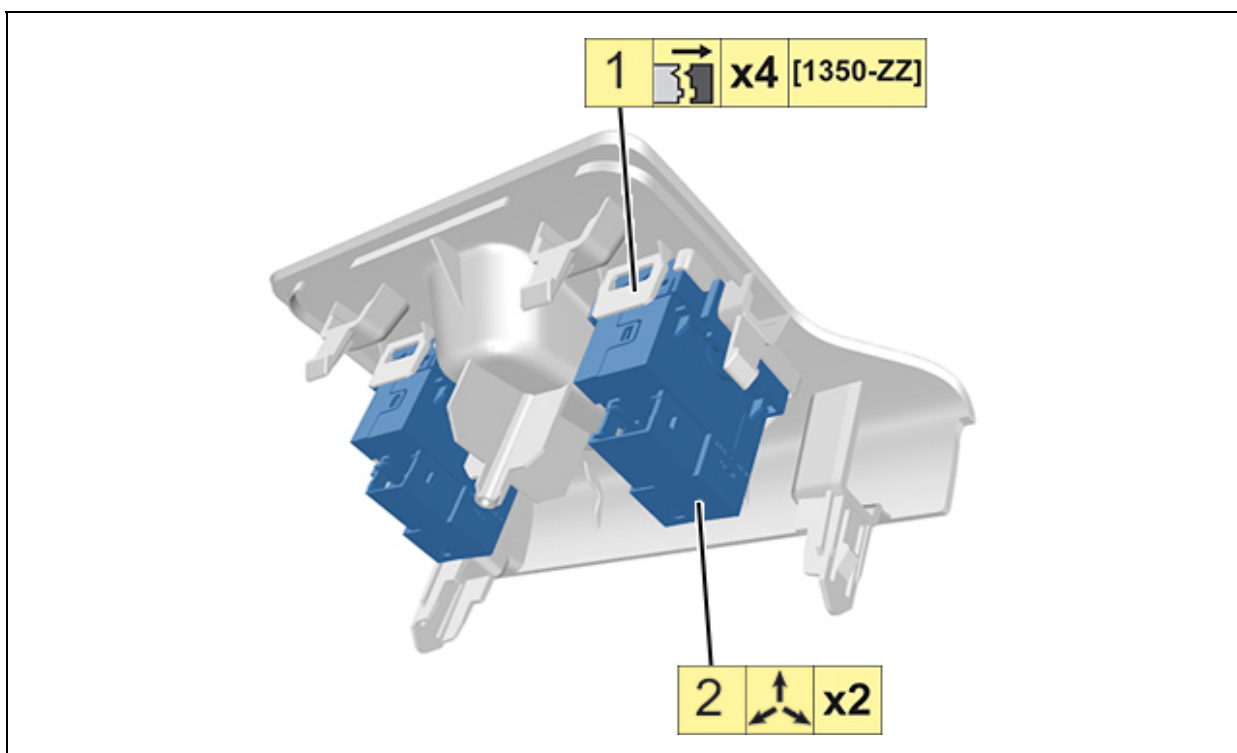


Figure : C5FG3OFD

## 5. Refitting

Proceed in the reverse order to removal.

## 6. Additional operations

**CAUTION :** Perform the operations that are required following a reconnection of the ancillaries battery



**Reconnect the ancillaries batteries** ⓘ (Following a specific procedure).

Check the operation of the various equipment.