

REMOVING - REFITTING : HEADLINING

ESSENTIAL : Observe the safety and cleanliness recommendations ⓘ .

Key : **Operation symbols** ⓘ .

1. Location

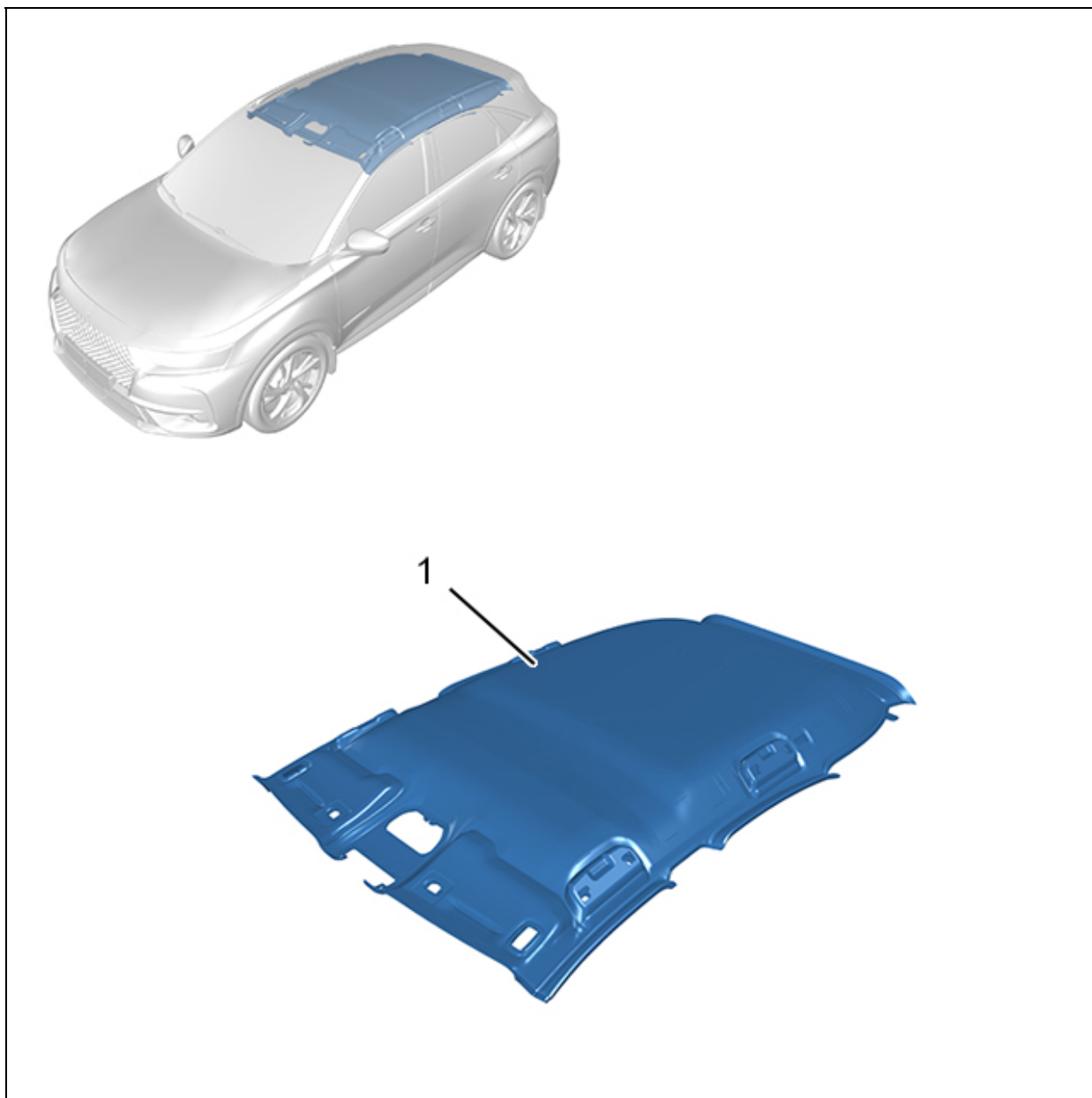
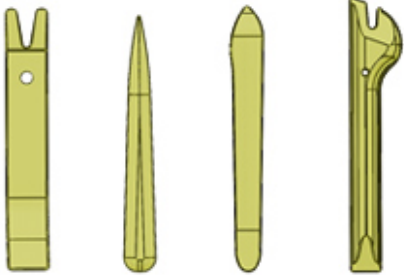


Figure : C5GG2DUP

Identification	Description	Quantity
(1)	Headlining	1

2. Tooling

Tool	Reference	Description
------	-----------	-------------

<p>[1350-ZZ]</p>  <p>Figure : E5AG02MT</p>	[1350-ZZ]	Stripping tools
---	-----------	-----------------

3. Preliminary operations

Disconnect the ancillaries battery ⓘ .

Remove :

- **The roof console** ⓘ
- **The windscreen pillar trims** ⓘ
- **The centre pillar upper trims** ⓘ
- **The quarter panel trim pads** ⓘ
- The front seat head restraints

Fold down :

- The rear seat back rests
- The front seat back rests

Dislodge :

- The side door aperture seals
- The tailgate aperture seal

4. Removing

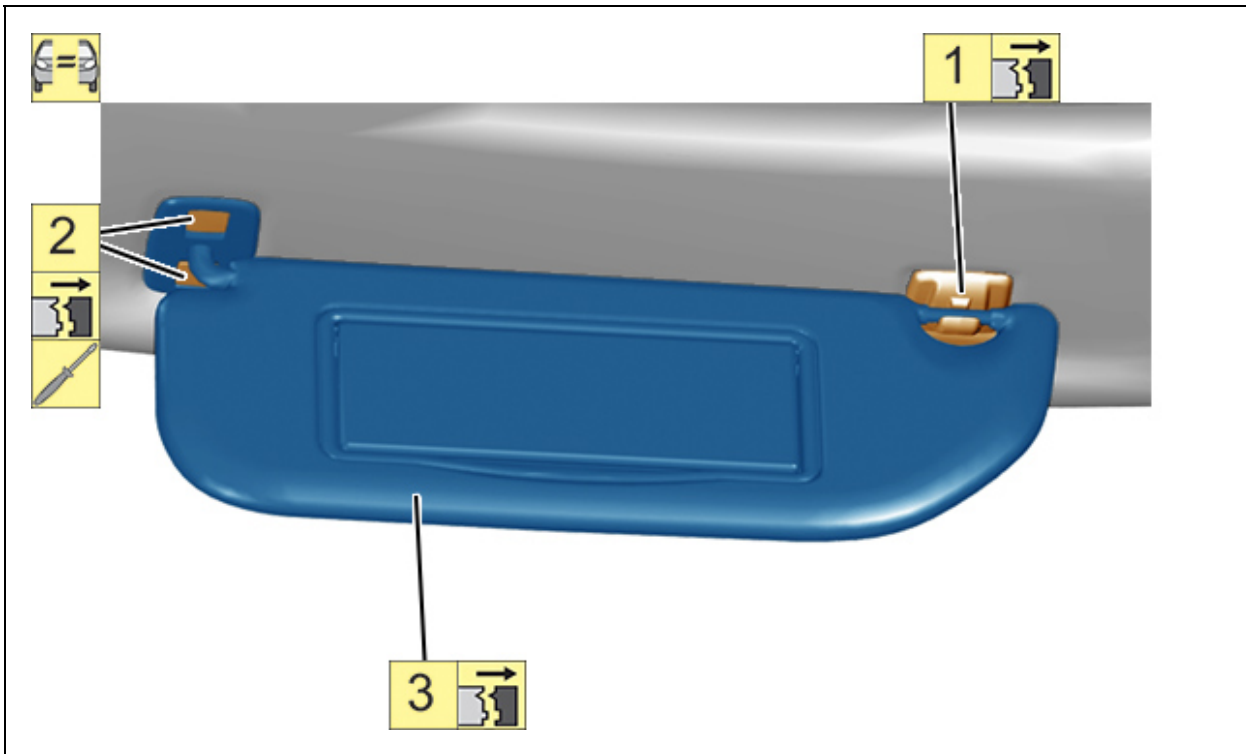


Figure : C5GG27ND

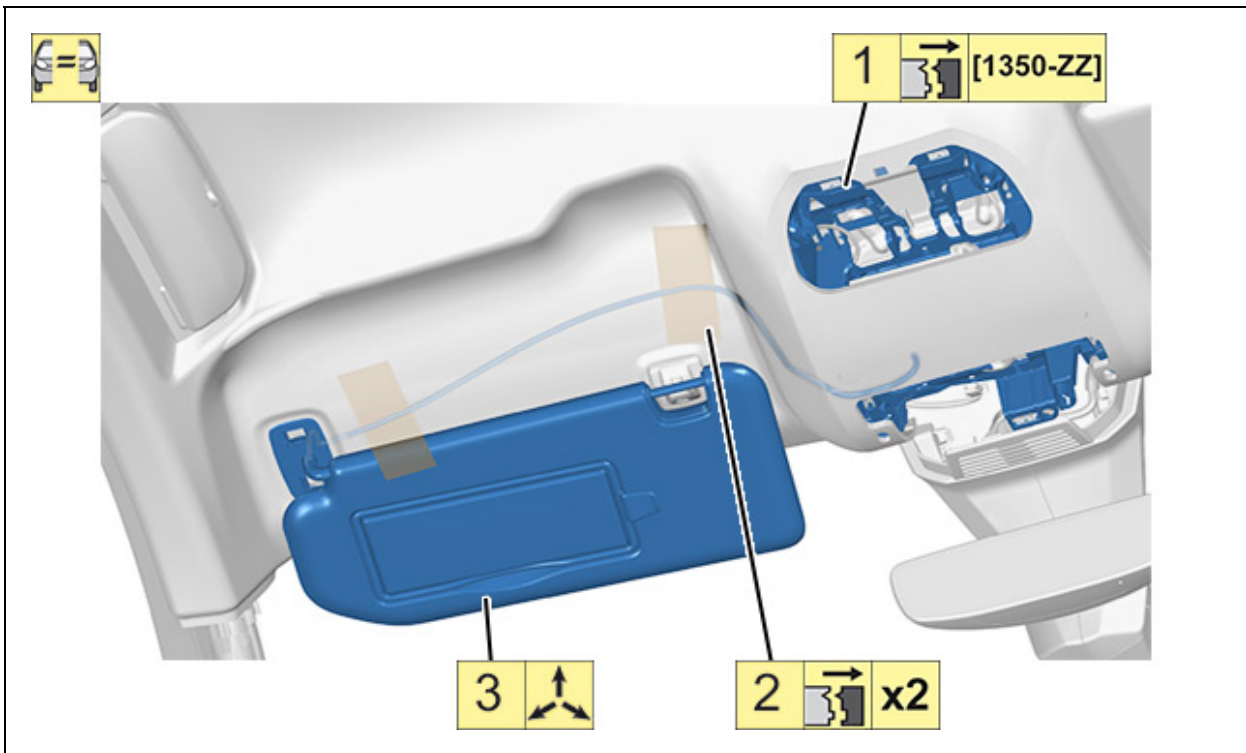


Figure : C5GG2DVD

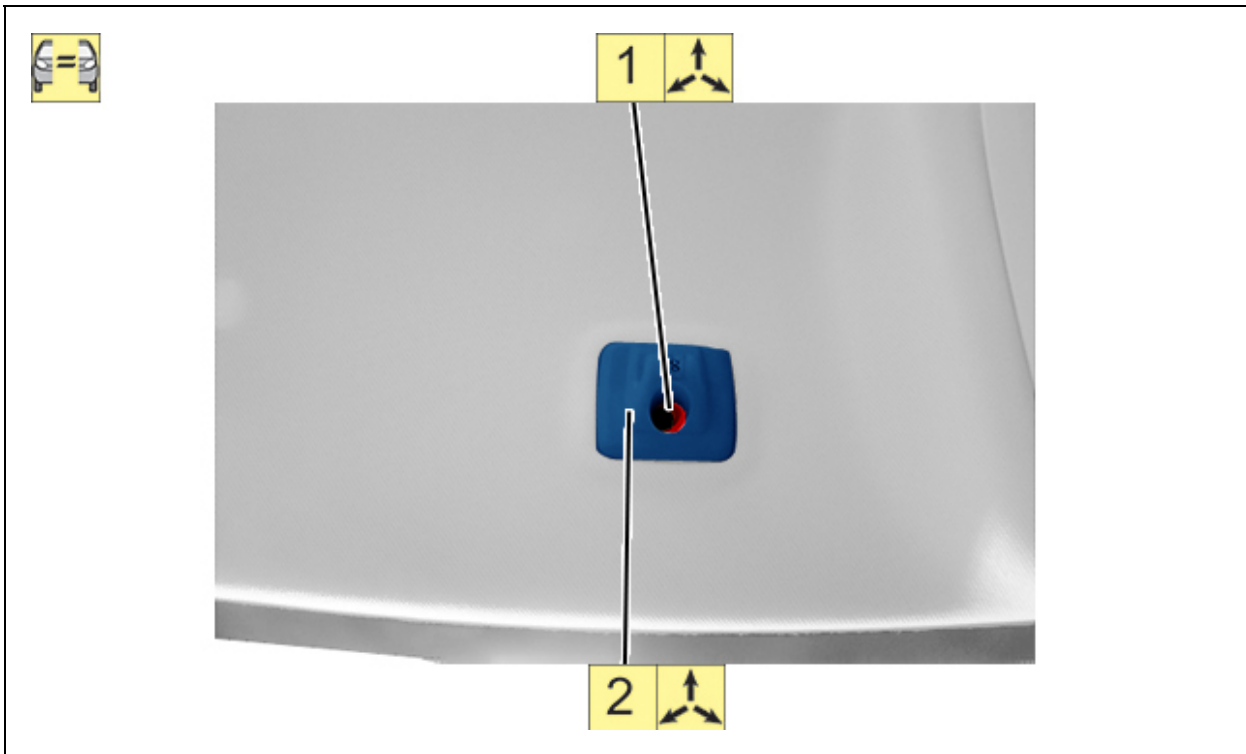


Figure : C5GG27PD

N.B. : Proceed in the same way for the other grab handles.

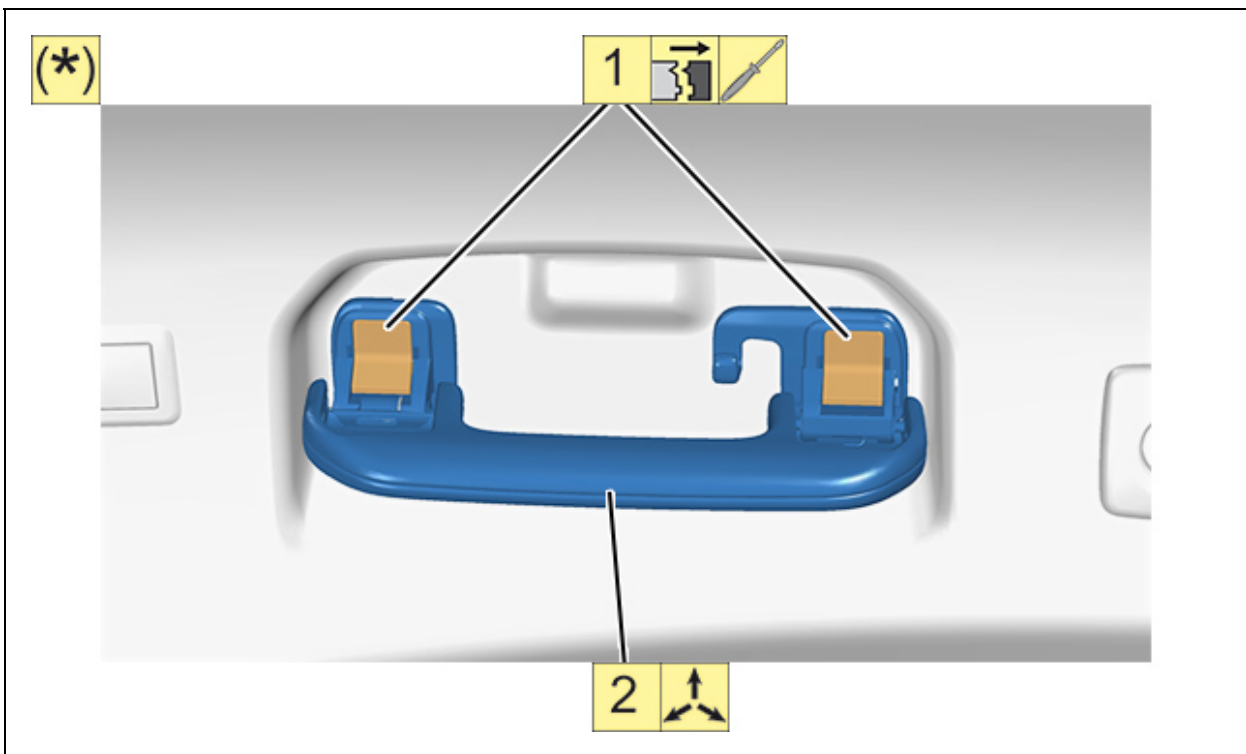


Figure : C5GG2DWD

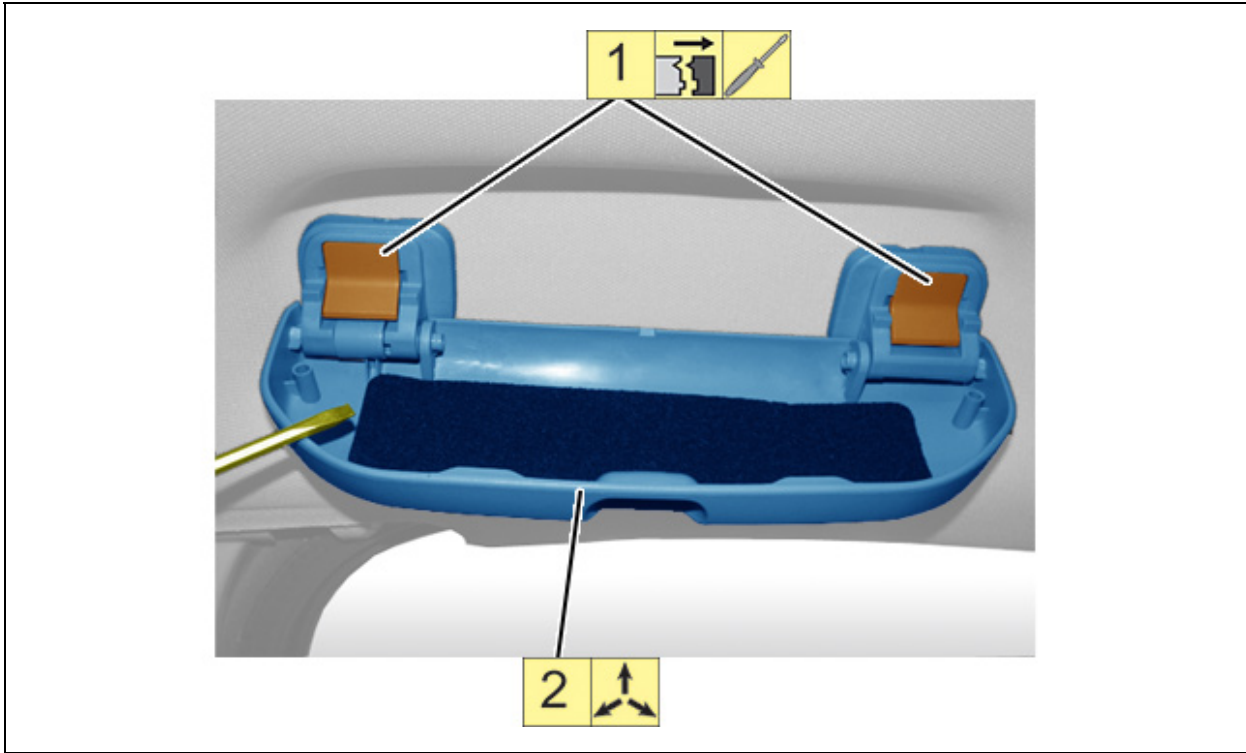


Figure : C5GG27YD

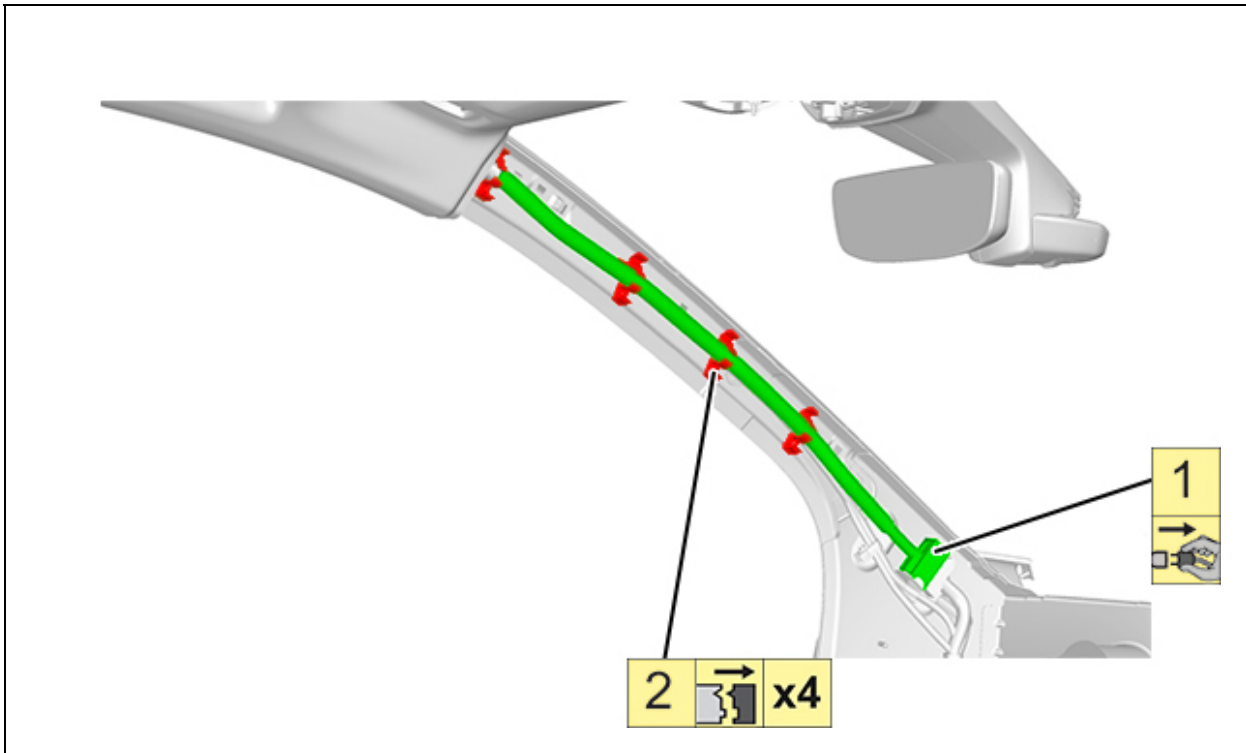


Figure : C5GG2DXD

N.B. : Rest the headlining on the seats.

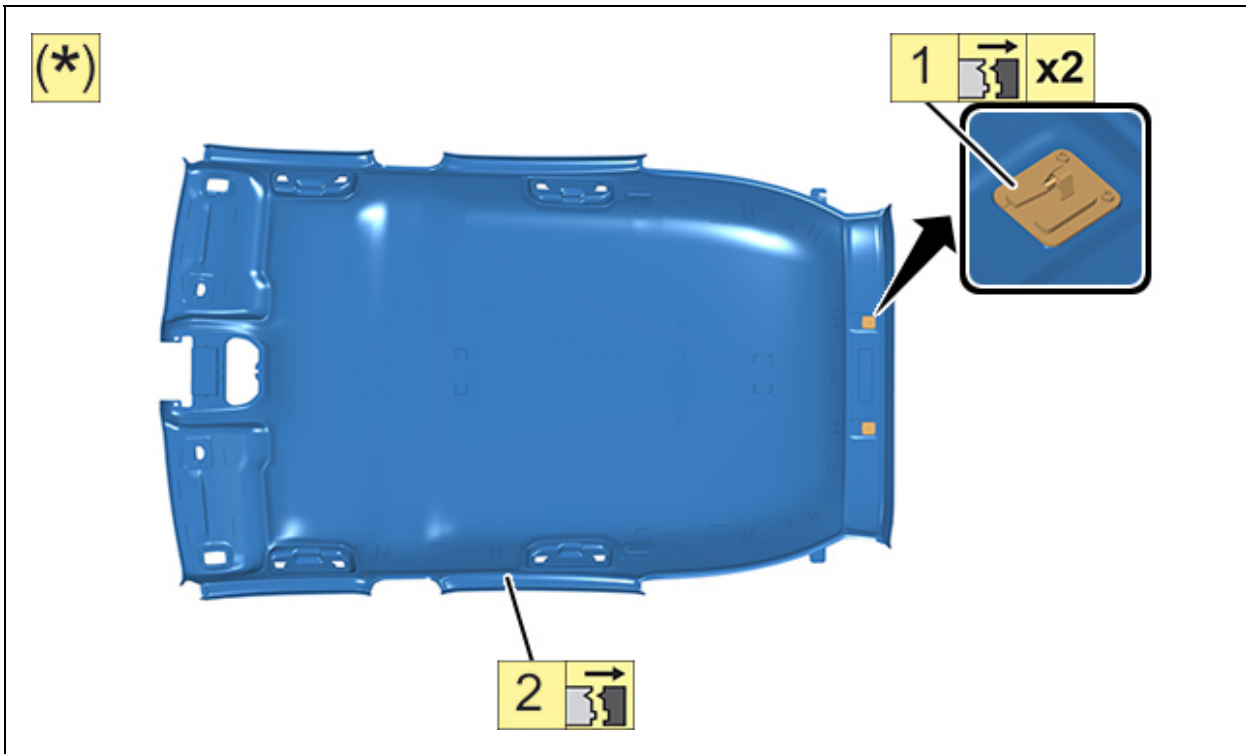


Figure : C5GG2DYD

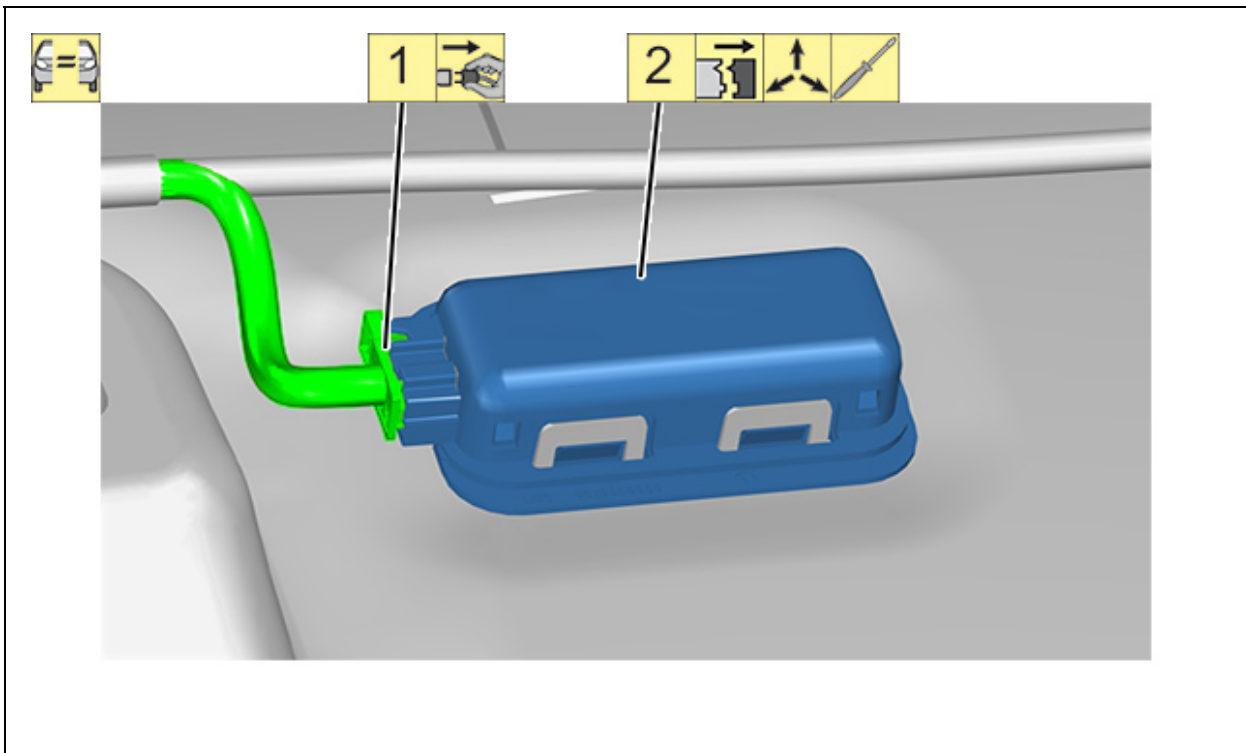


Figure : C5GG2DZD

CAUTION : Extract the headlining via the tailgate (Carefully).

N.B. : Exert a moderate, even pressure to the entire surface of the headlining.

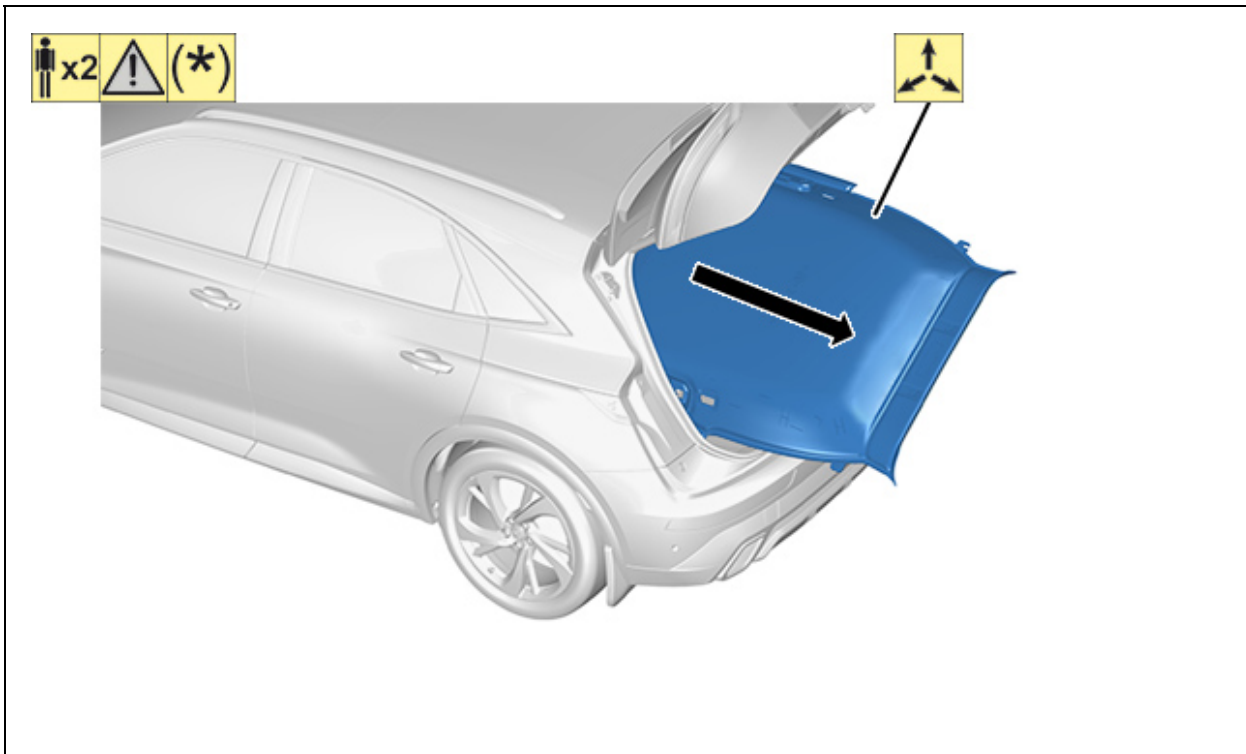


Figure : C5GG2E0D

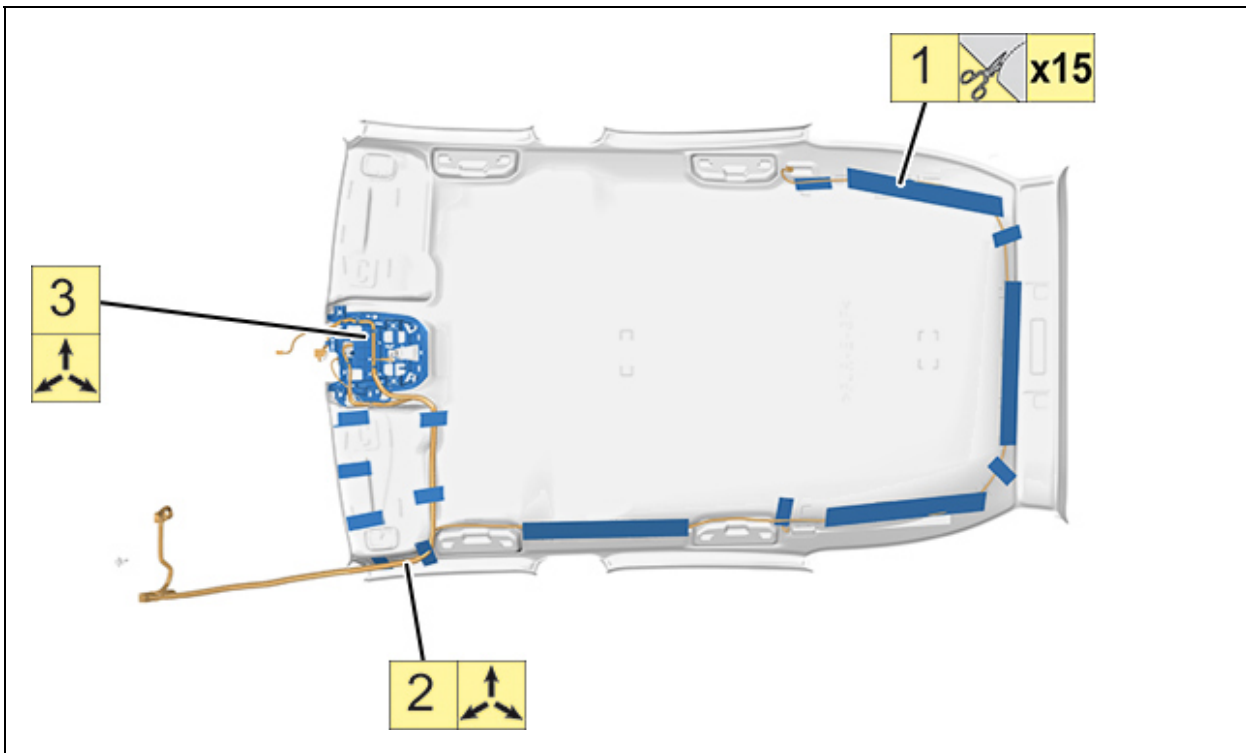


Figure : C5GG2E1D

5. Refitting

CAUTION : The headlining must be handled carefully to prevent any damage.

CAUTION : Always replace the headlining if there is any damage or marking.

N.B. : Always replace the damaged fixings ; Clean the headlining with soap and water (if necessary).

Proceed in the reverse order to removal.

6. Additional operations

Refit :

- The tailgate aperture seal
- The side door aperture seals
- The front seat head restraints
- **The quarter panel trim pads** ⓘ
- **The centre pillar upper trims** ⓘ
- **The windscreen pillar trims** ⓘ
- **The roof console** ⓘ

Refit :

- The rear seat back rests
- The front seat back rests

CAUTION : Perform the operations that are required following a reconnection of the ancillaries battery ⓘ.

Reconnect the ancillaries battery.

Check the operation of the various equipment.