

## REMOVING - REFITTING : BUILT-IN SYSTEMS INTERFACE

**ESSENTIAL** : Observe the safety and cleanliness recommendations ⓘ .

Key : **Operation symbols** ⓘ .

### 1. Location

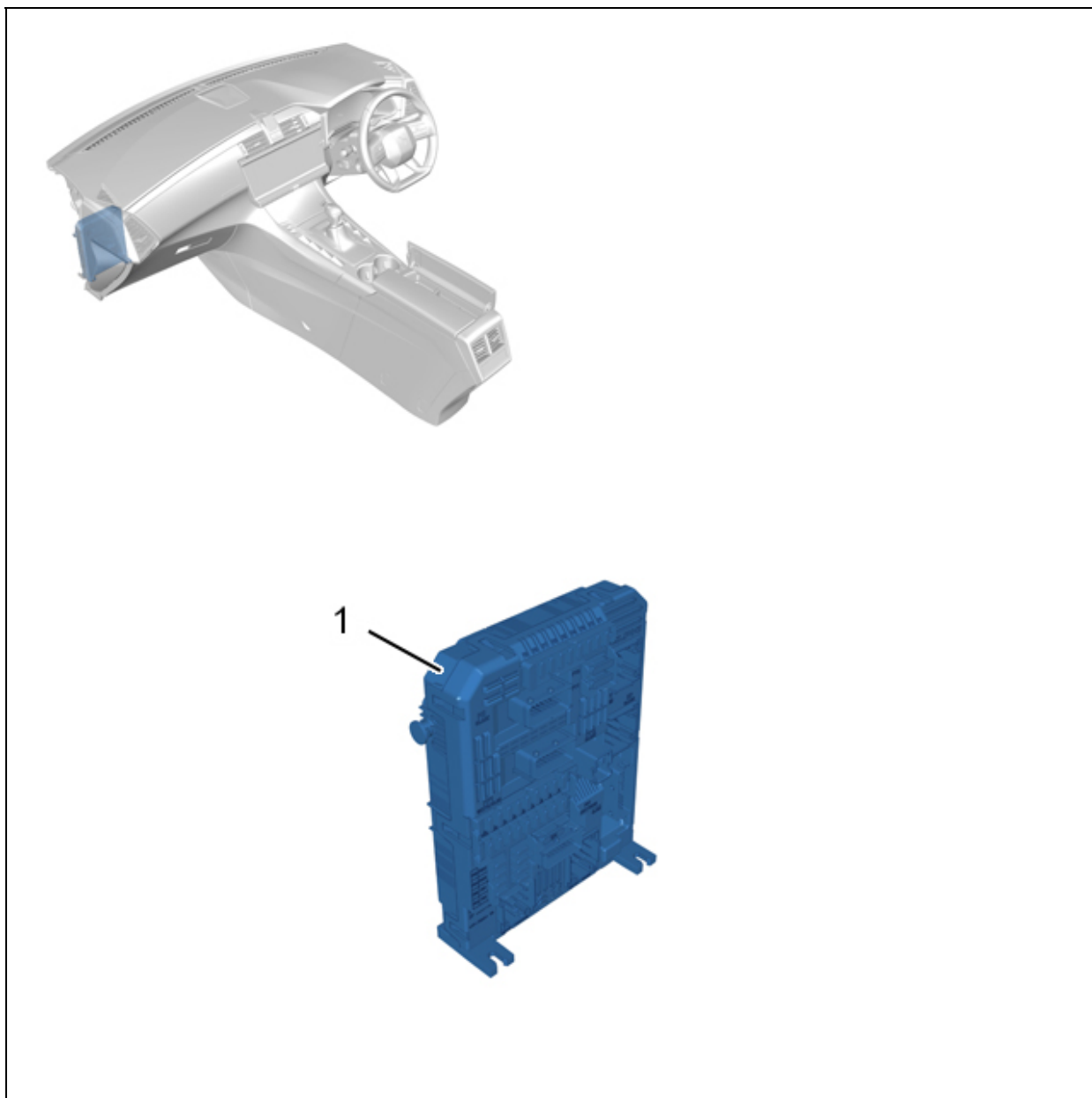


Figure : D4EG0B4P

Identification	Description	Quantity
(1)	Built-in systems interface	1

### 2. Preliminary operations

**Disconnect the ancillaries battery** ⓘ .

**Remove the passenger storage compartment** ⓘ

**3. Removing**

**3.1. Built-in systems interface**

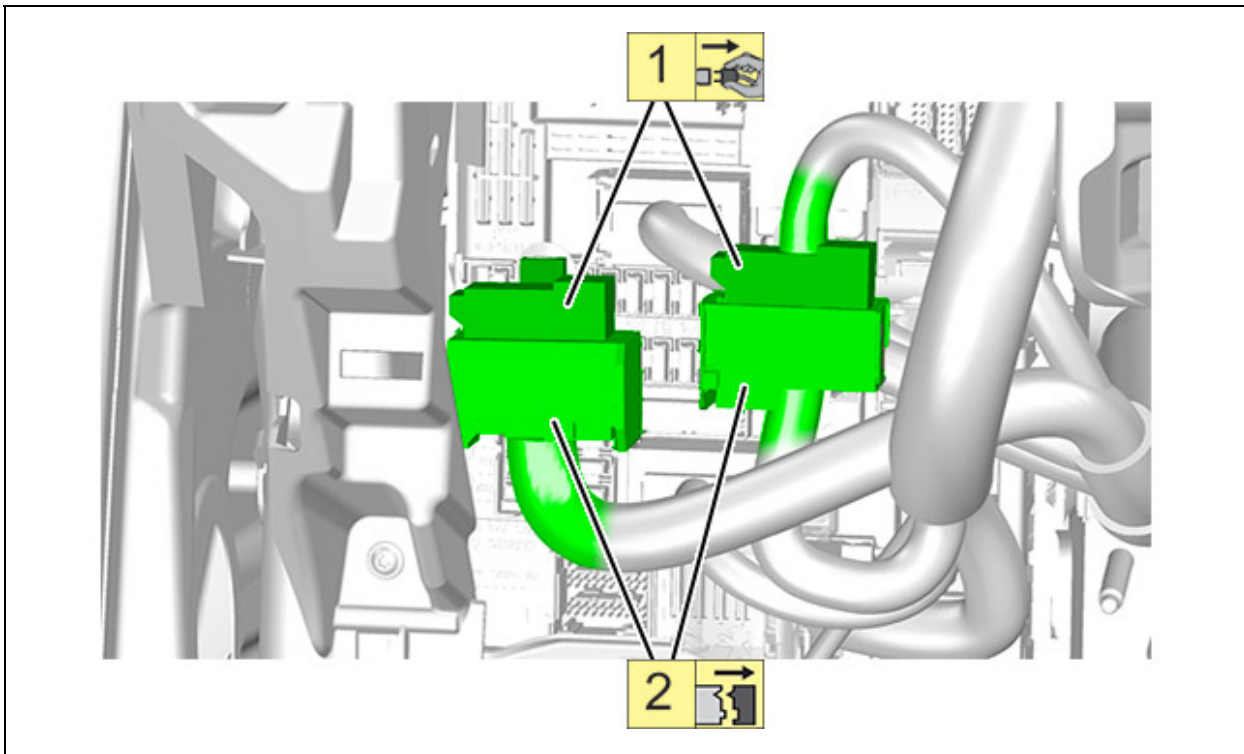


Figure : D4EG093D

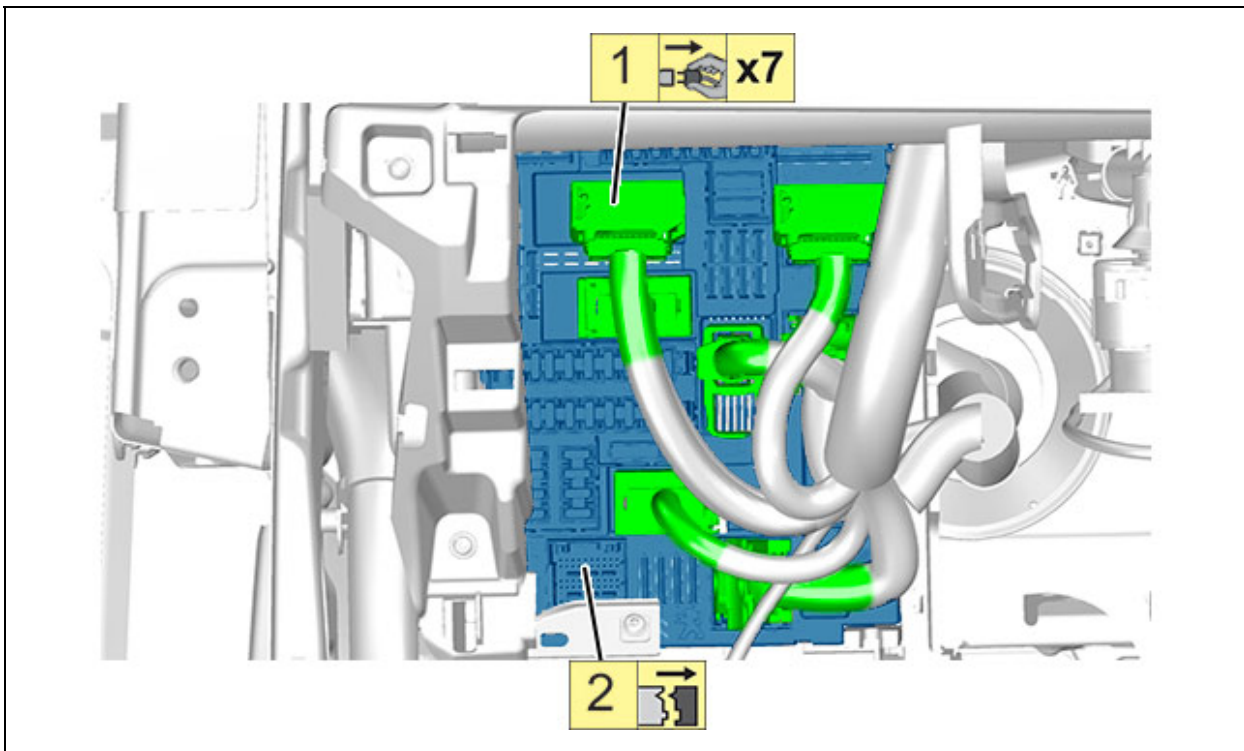


Figure : D4EG094D

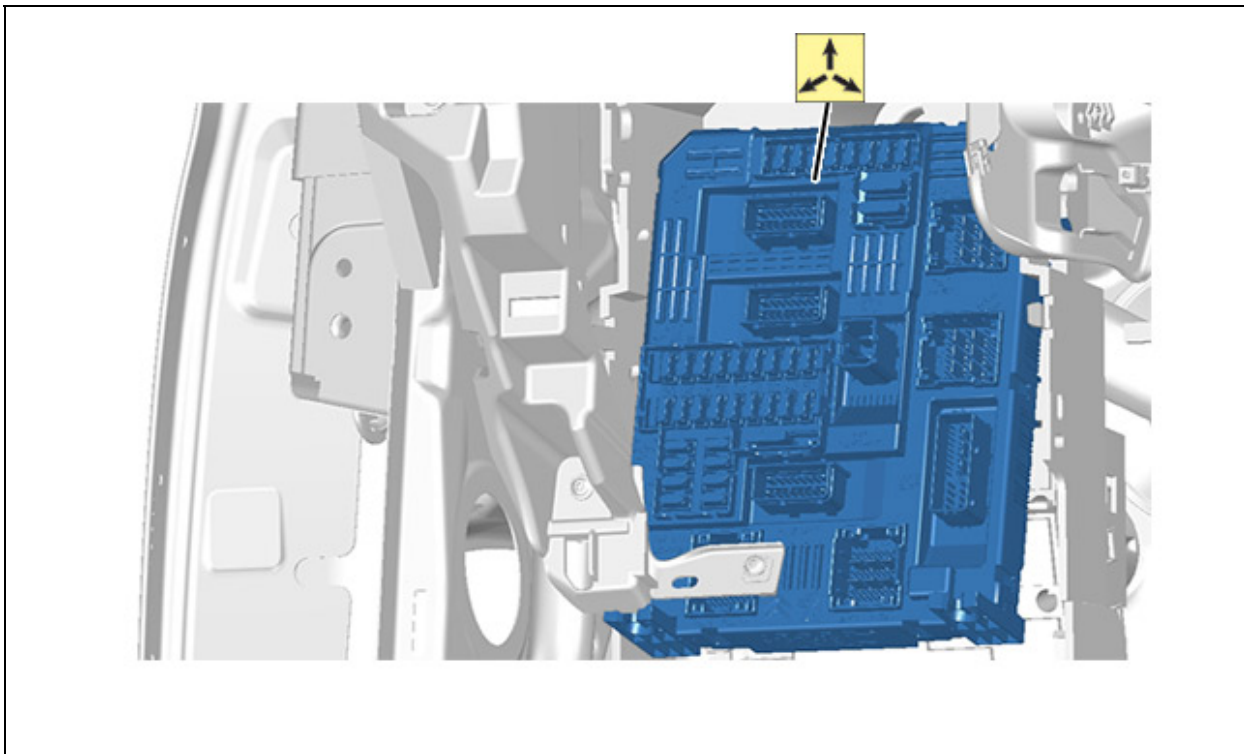


Figure : D4EG095D

### 3.2. BSI support

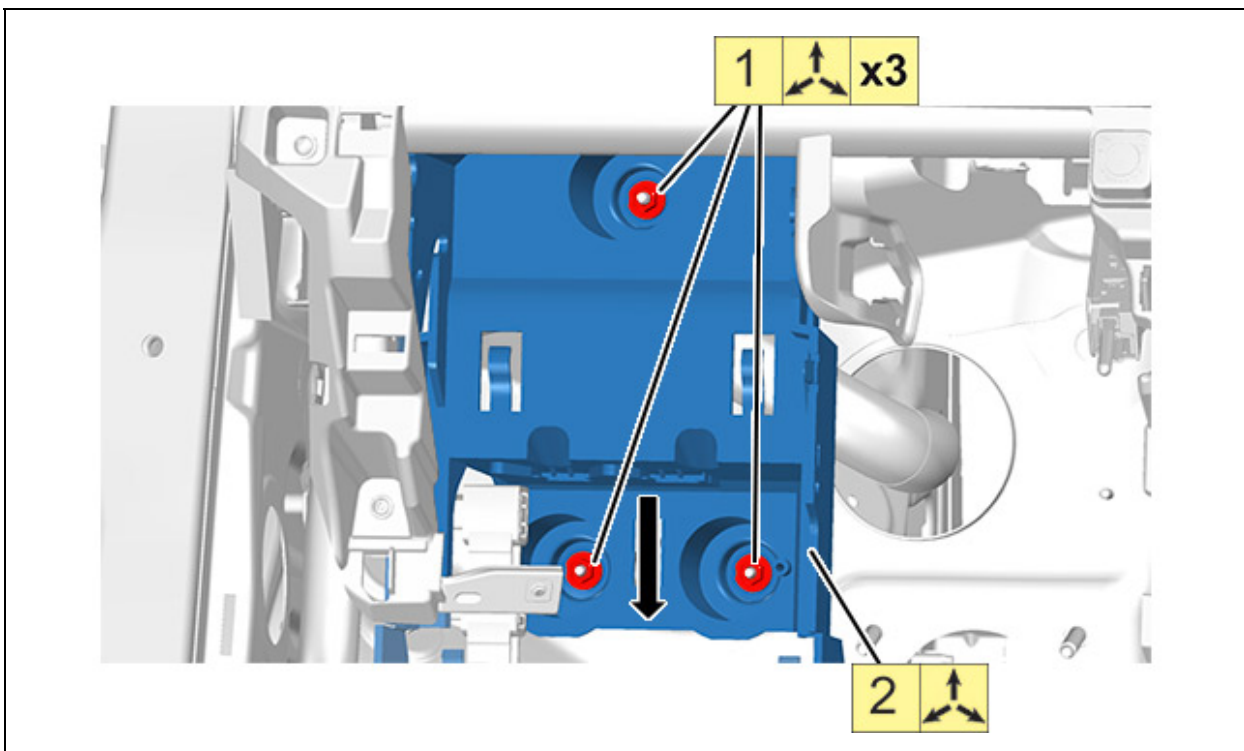


Figure : D4EG096D

### 4. Refitting

Proceed in the reverse order to removal.

### 5. Additional operations

**Refit the passenger storage compartment**  .

**CAUTION** : Perform the operations that are required following a reconnection of the ancillaries battery  .

Reconnect the ancillaries battery.

Check the operation of the various equipment.