

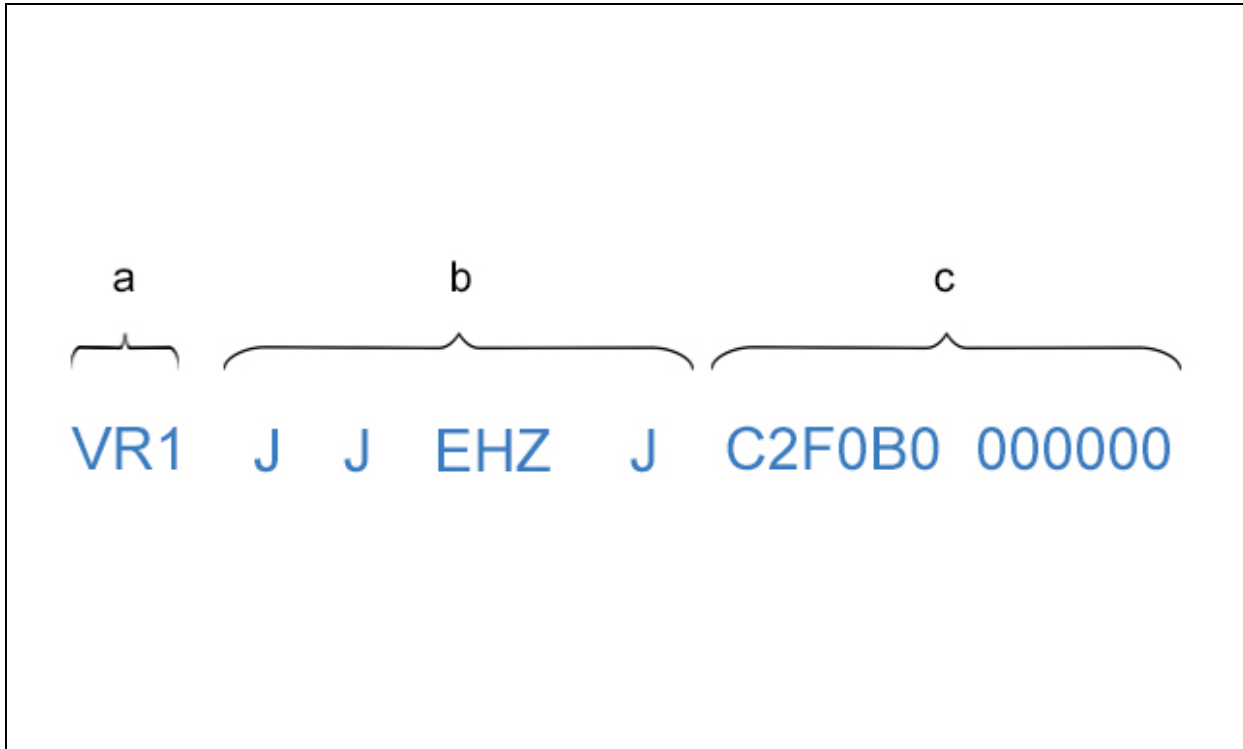
**MARKETED RANGE : MODEL CODE - DS 7 CROSSBACK****1. Structure**

Figure : E1AB19BD

"a" Worldwide manufacturer's identification code (WMI).

"b" Description of the vehicle (VDS).

"c" Identification of the vehicle (VIS).

**2. Worldwide manufacturer's identification code (WMI)**

The worldwide manufacturer's identification code (WMI) consists of 3 digits or letters.

Marking "a"	Worldwide manufacturer's identification code (WMI)
VR1	PSA group (DS Automobiles)

**3. Description of the vehicle (VDS)**

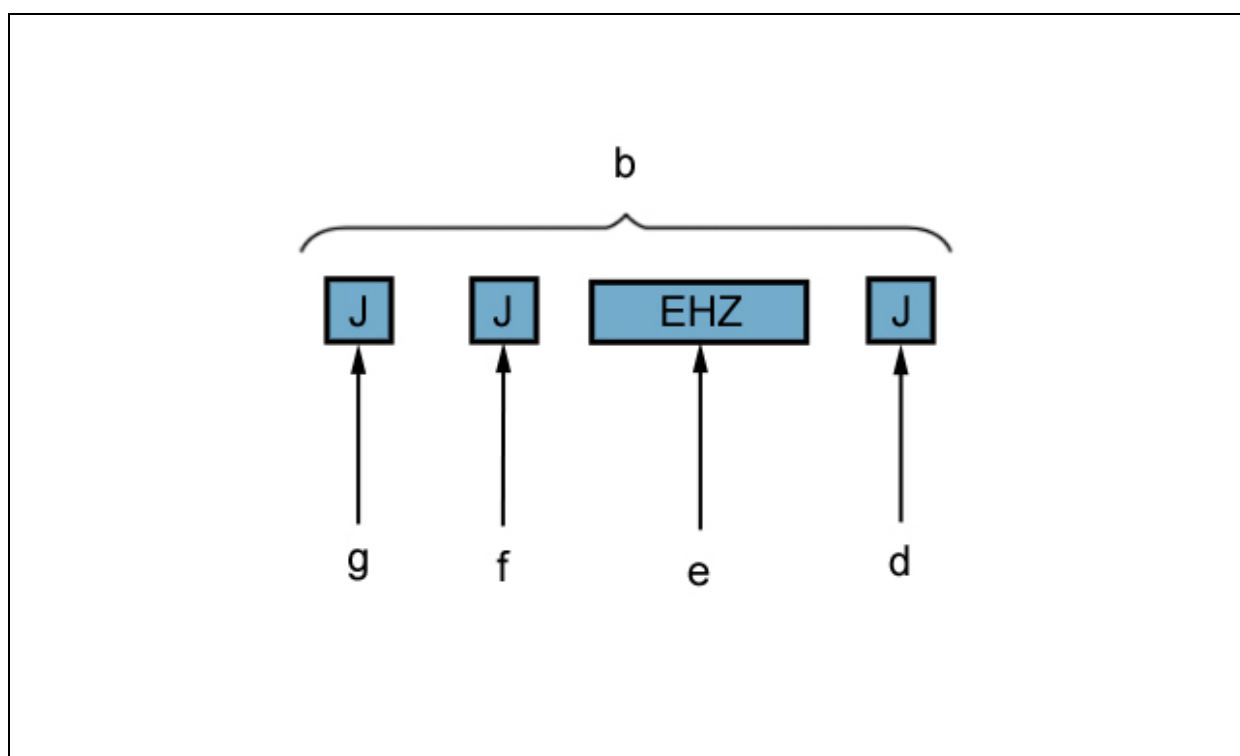


Figure : E1AB19CD

The description of the vehicle consists of 6 digits or letters.

### 3.1. Type / Family

Marking "g"	Family
J	DS 7 Crossback

### 3.2. Variant / Engine family - Body type

Marking "f"	(AC) estate
DV	C
DW	J
EB	R
EP	4

### 3.3. Version / Engine

Marking "e"	BOF	DOC	Description
5GB	NK	GL	EP6FADTXHPEuro 6.3 emission control standard 4 drive wheels
5GF	NS	FX	EP6FADTXDEuro 6.3 emission control standard
5GF	LL	FX	EP6FADTXD121 kW
5GG	NR	FT	EP6FADTXEuro 6.3 emission control standard
5GG	LK	FT	EP6FADTX162 kW
5GQ	NK	GM	EP6FADTXHP €63Euro 6.3 emission control standard 2 drive wheels
5GS	KN	EB	EP6FDTM AL120 kW
5GX	KU	AJ	EP6FDTMD110 kW
5GY	KN	EB	EP6FDTM120 kW

EHZ	KA	FR	DW10FC123 / 400 kW
HNS	LH	DV	EB2ADTS96 kW
YHZ	MA	FK	DV5RC96 kW

### 3.4. Version / Gearbox - emission control standards

Marking "d"	EURO 5	EURO 6	EURO 6.2	BRL6	EURO 5 lower	EURO 6.3
6-speed manual gearbox	-	-	J	-	-	-
8-speed automatic gearbox	N	-	R	-	-	U
6-speed automatic gearbox	V	A	-	Y	Z	-

## 4. Identification of the vehicle (VIS)

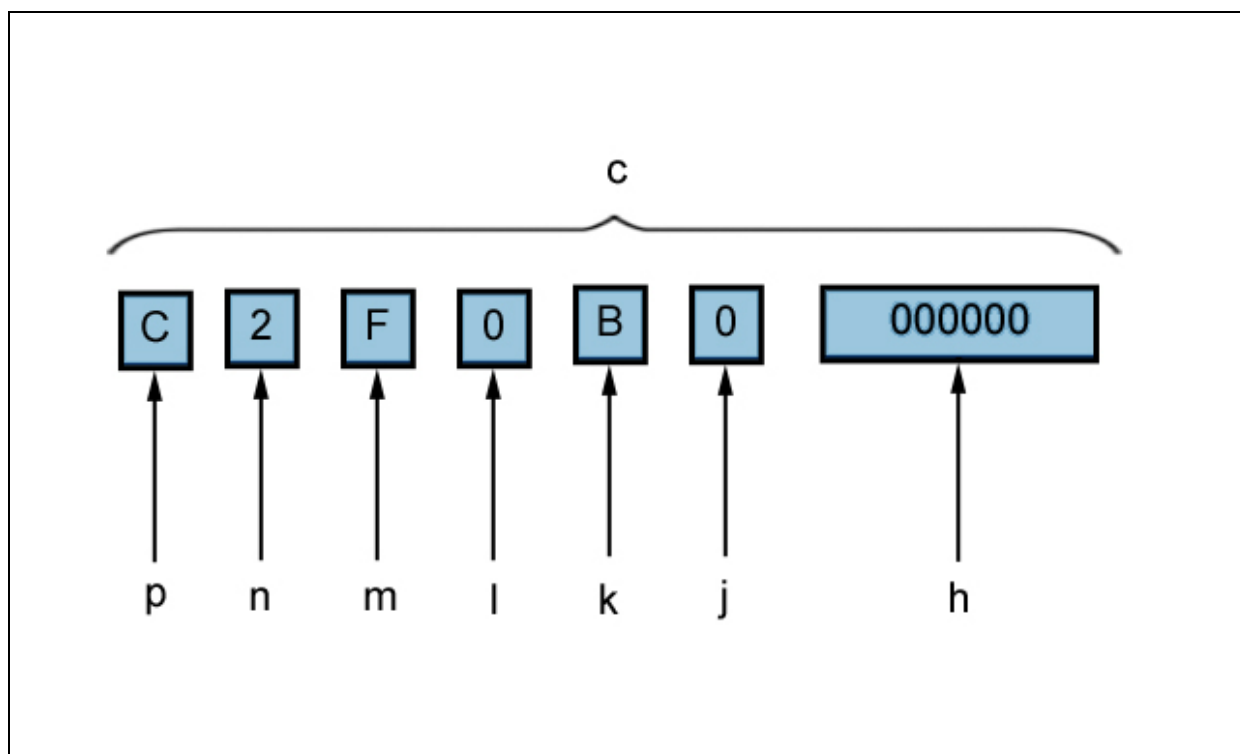


Figure : E1AB19DD

The identification of the vehicle consists of 9 digits or letters.

### 4.1. Version /Body type - Number of seats

Marking "p"	5 seater
5-door SUV	C

### 4.2. Version / Fuel

Marking "n"	Fuel
1	RON95
2	Diesel

### 4.3. Version / Optimisation of consumption

Marking "m"	without Stop and Start / Piloted manual gearbox	Stop and Start
-------------	---	----------------

Standard consumption	A	B
Optimised consumption	E	F
Optimised consumption plus	-	K
Optimised consumption plus plus	-	2

#### 4.4. Version / Technological economy

Marking "i"	Technological economy
0	Not applicable
1	HEAClass 12/15
2	HEAClass 18/22
3	ISTAR

#### 4.5. Version / Special vehicle

Marking "j"	Earth - Category
0	RSG private vehicle
3	MHE private vehicle
B	Vehicle, complying with emission control standard EURO 6.2, approved for 6.1

#### 4.6. Version / Earth- Category

Marking "j"	Earth - Category
0	Not affected
1	Gross train weight (GTW) (MTRA) (Lower)
2	(DOK : 00) trailer (Towing vehicle)

#### 4.7. Version / Serial number

Marking "h"	Serial number
xxxxxx	6 figures