

## REMOVING - REFITTING : REVERSING CAMERA

**ESSENTIAL** : Observe the safety and cleanliness recommendations ⓘ .

Key : **Operation symbols** ⓘ .

### 1. Location

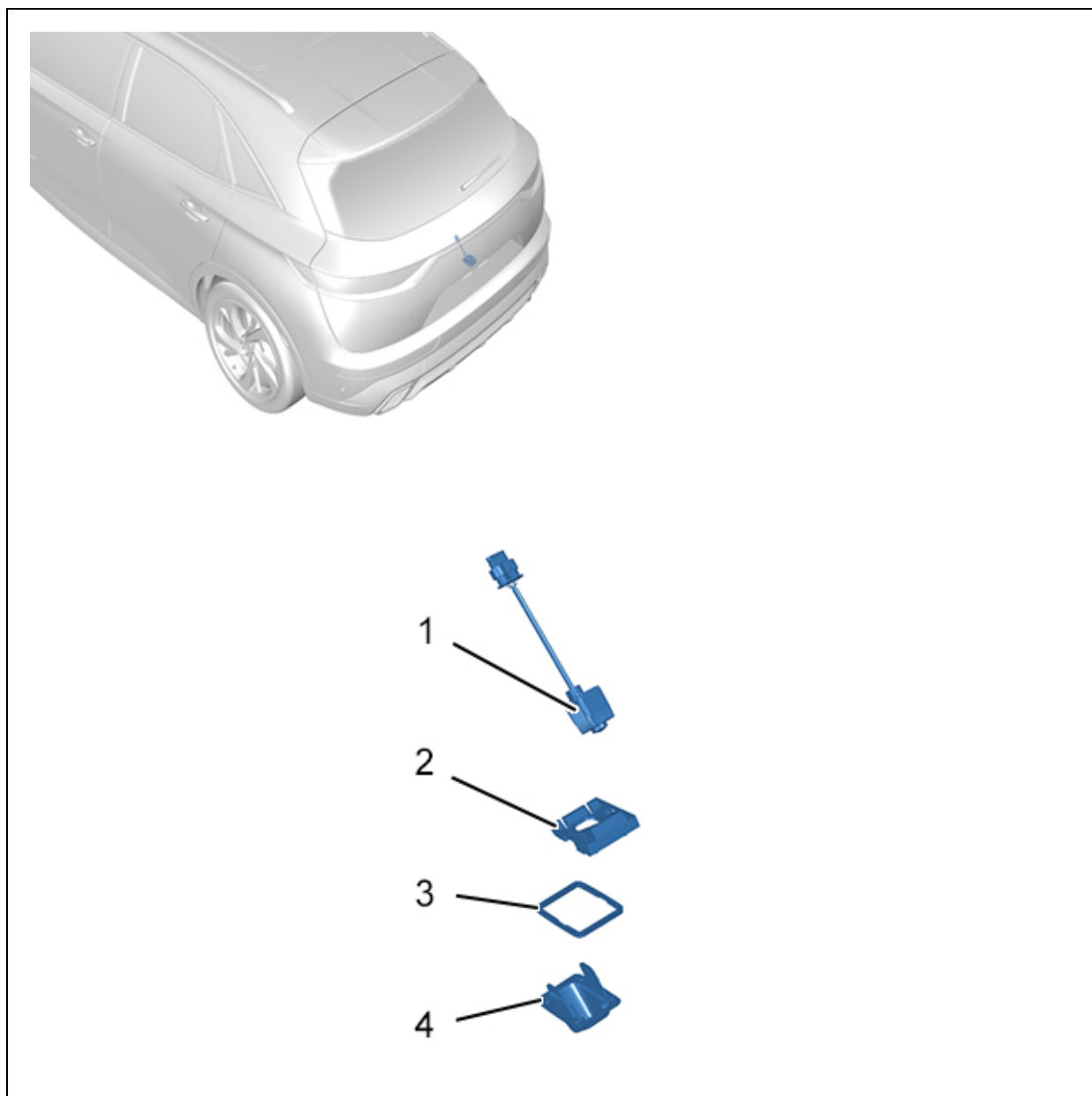
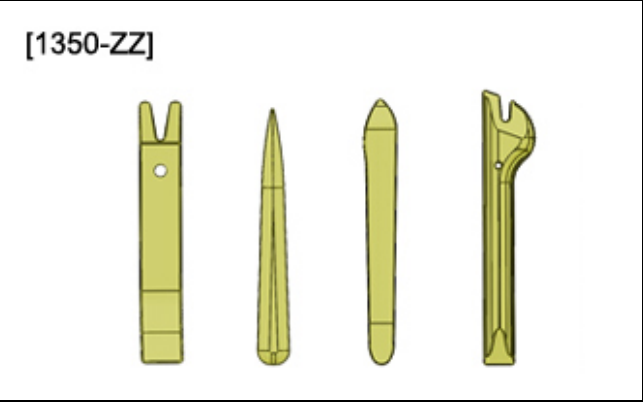


Figure : C5FG3JGP

Identification	Description	Quantity
(1)	Reversing camera	1
(2)	Bracket	1
(3)	Seal	1
(4)	Trim	1

## 2. Tooling

Tool	Reference	Description
 <p>[1350-ZZ]</p>	[1350-ZZ]	Stripping tools
Figure : E5AG02MT		

## 3. Preliminary operations

Disconnect the ancillaries battery ⓘ.

## 4. Removing

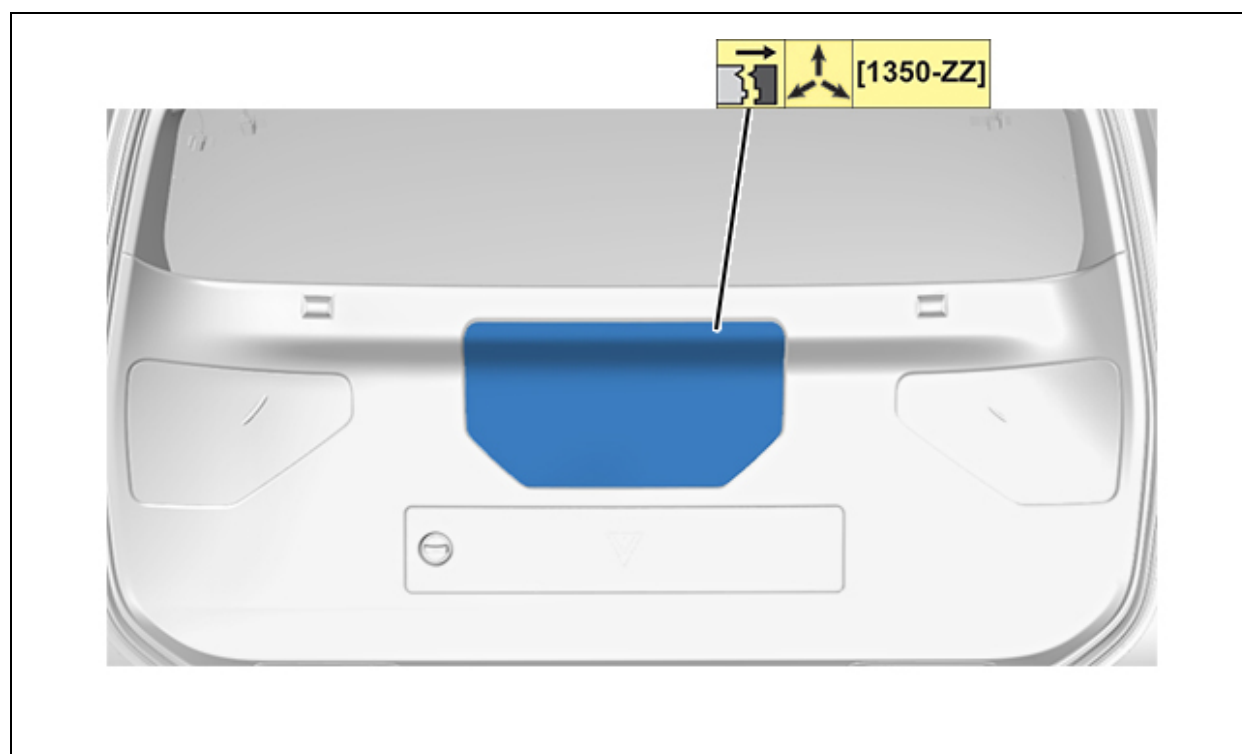


Figure : C5FG3JHD

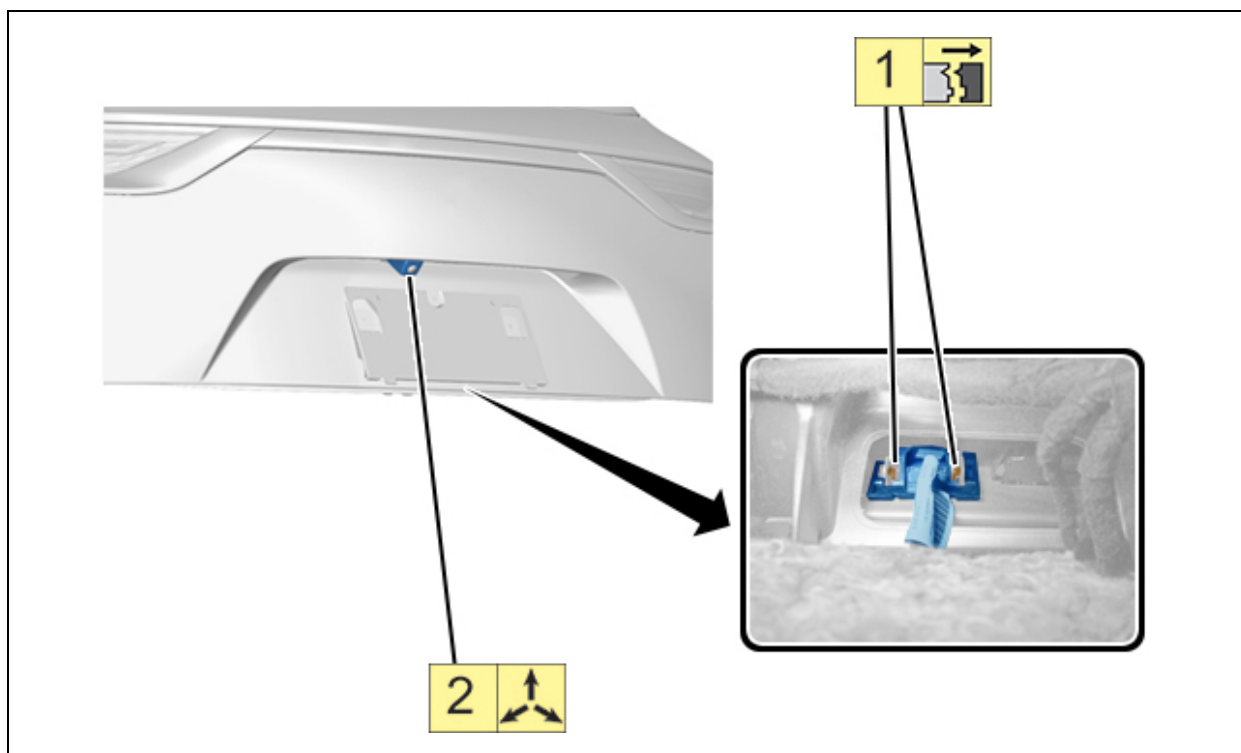


Figure : C5FG3JID

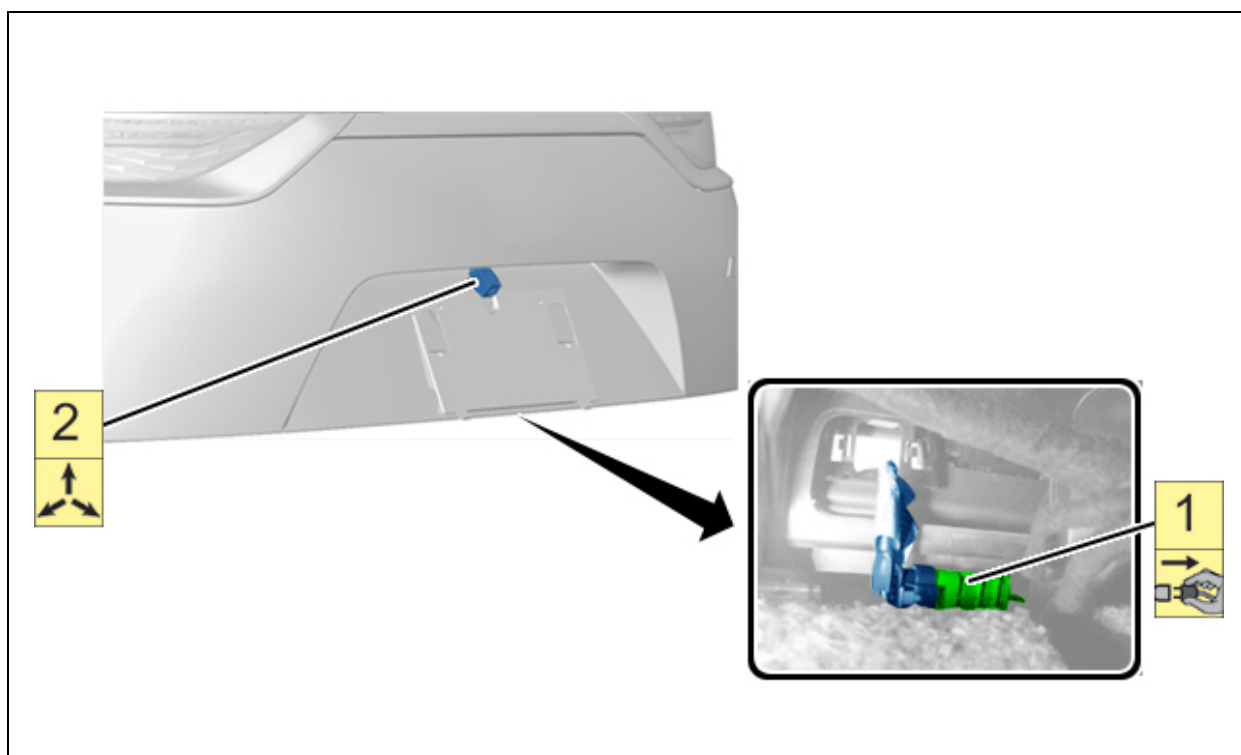


Figure : C5FG3JJD

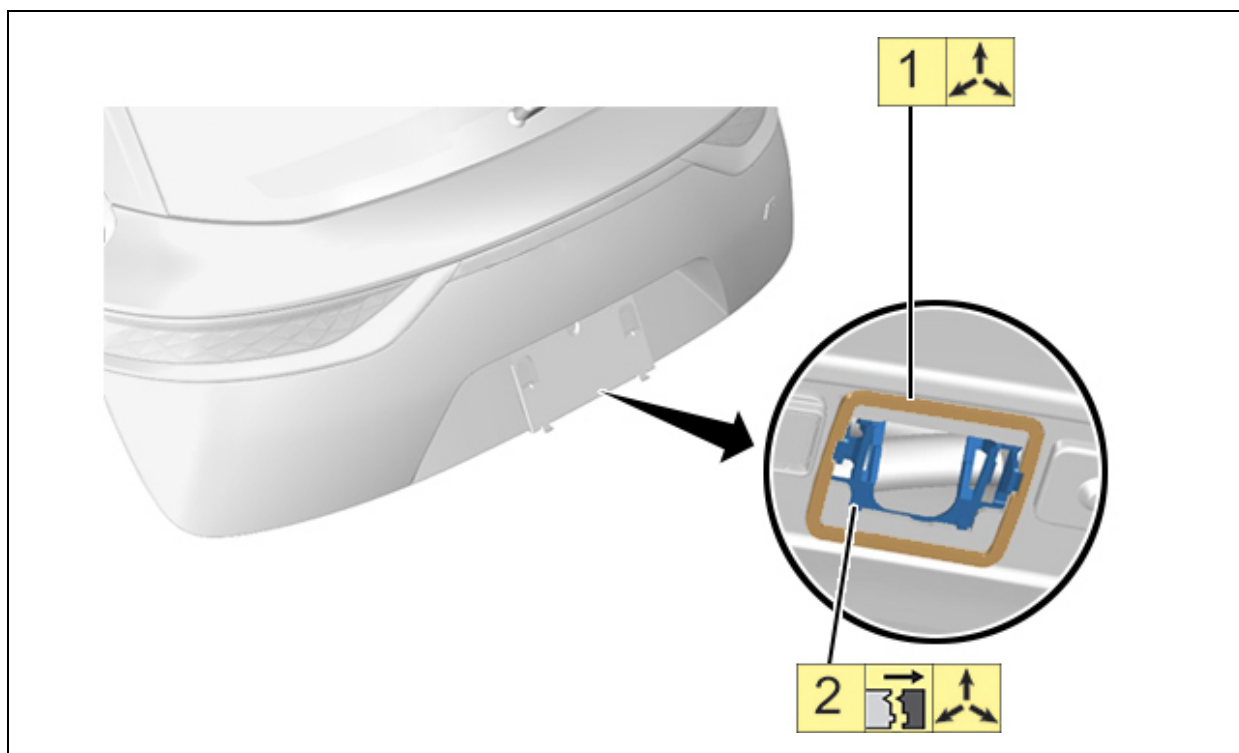


Figure : C5FG3JKD

## 5. Refitting

**CAUTION** : Check the condition of the seal .

Proceed in the reverse order to removal.

## 6. Additional operations

**CAUTION** : Perform the operations that are required following a reconnection of the ancillaries battery  .

Reconnect the ancillaries battery.

Check the operation of the various equipment.